



**halliday  
baillie**

## HB 120

### 300MM LONG SURFACE MOUNTED BOLT

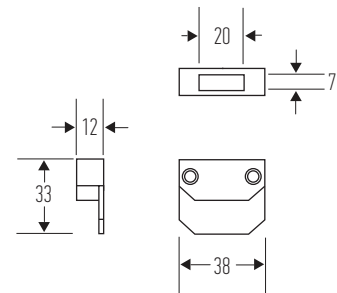
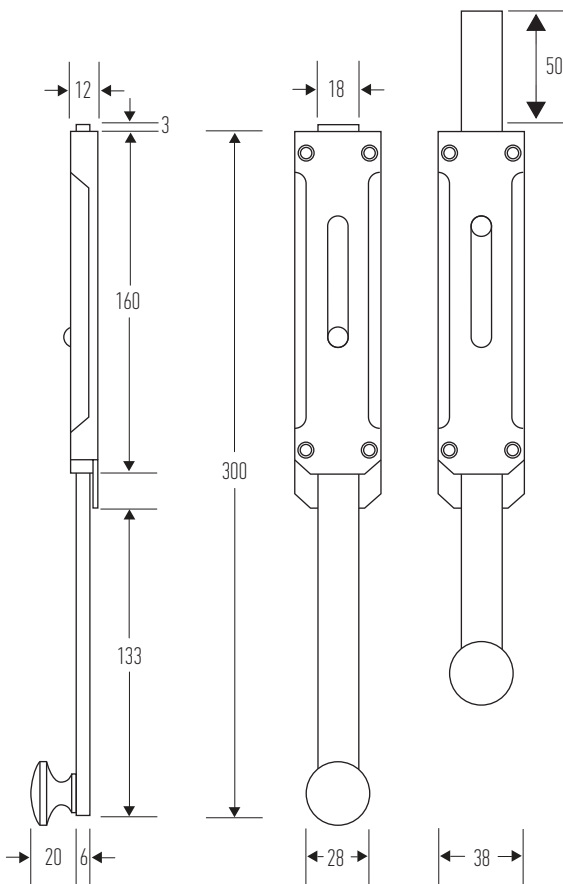
Milled from solid brass, the HB120 Surface Mounted Bolts come in a range of finishes, and are ideal for French doors where flush mounting is not required. Bolts are available in standard lengths of 300mm or the complementary HB 125 in 600mm (overall length). These can be cut to custom lengths on request. Custom lengths may incur additional cost and lead times.

HB120 Bolts come with a range of keepers and strikes for various fixing situations, which are sold separately. Please see below for line drawings and codes of the variations available.

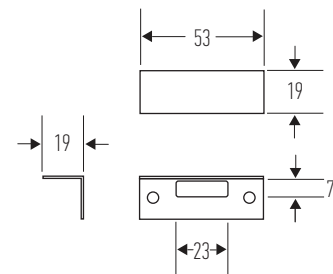
Milled from solid brass

Available in the following finishes :

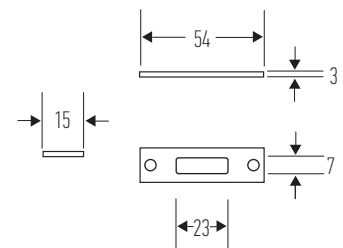
- SC : Satin Chrome
- BN : Brushed Nickel ( by special order )
- PB : Polished Brass
- DB : Dark Bronze
- PB : Polished Brass
- KC : Black Chrome



HB 127



HB 128



HB 129

Designed and manufactured in New Zealand. For more information, installation templates, and measured drawings of this product and others please visit : [www.hallidaybaillie.com](http://www.hallidaybaillie.com) or contact your authorized Halliday + Baillie dealer. All information subject to change. © 2016 Halliday + Baillie Ltd.