



HALLIDAY & BAILLIE STAIR BRACKET - HB500/HB510

ORDER CODE: HB500 - ALUMINIUM WITH STAINLESS STEEL FIXINGS

ORDER CODE: HB510 - CAST 316 STAINLESS STEEL

Suitable for: interior & sheltered exterior
(HB500 not suitable for coastal applications)
Use HB 510 in this instance & any marine environment

See over page for more product facts



By adding an extra kit you are able to fix brackets to glass

See image below



All Halliday & Baillie Stair brackets comply with Australian
New Zealand and US standards

<http://www.hallidaybaillie.com/>

EMAIL: SALES@HALLIDAYANDBAILLIE.COM

PHONE: 02 9699 3330

FAX: 02 9699 3660

GLASS FIX KITS FOR EACH FINISH

ORDER CODE: HB502 - FOR HB500

ORDER CODE: HB512 - FOR HB510

OPTIONAL ROSE FOR EACH FINISH

ORDER CODE: HB500R for HB500

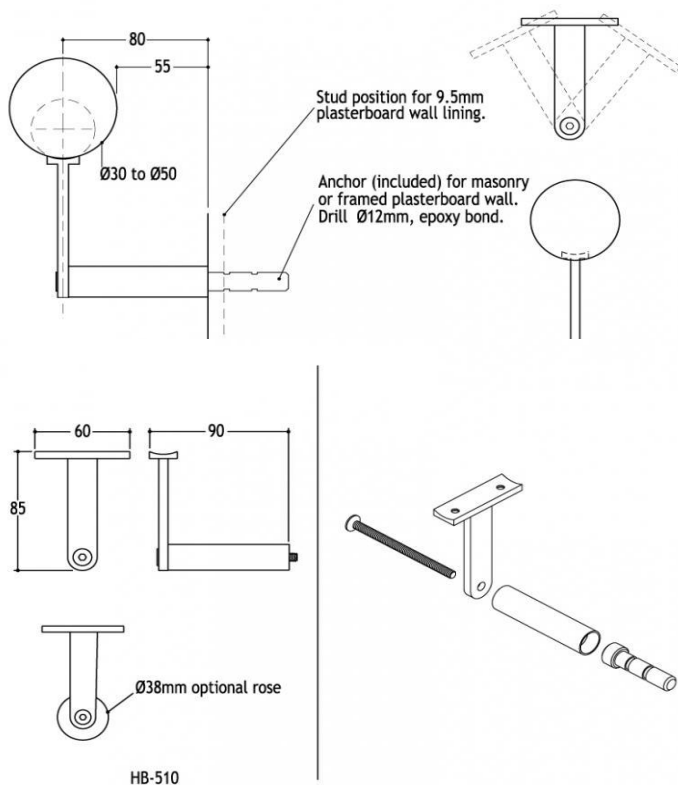
ORDER CODE: HB510R for HB510

Recommended spacings between each bracket - 600 - 800mm

For an interactive installation video visit:

www.hallidaybaillie.com

Under products, click on Stair rail fittings and click bottom right on image of stairs



If you require further information please phone our sales team

<http://www.hallidaybaillie.com/>