



HALLIDAY & BAILLIE STAIR BRACKET - HB520/HB530

ORDER CODE: HB520 - ALUMINIUM WITH STAINLESS STEEL FIXINGS

ORDER CODE: HB530 - 316 STAINLESS STEEL

Suitable for: interior & sheltered exterior
(HB520 not suitable for coastal applications)
See over page for more product facts



By adding an extra kit you are able to fix brackets to glass

See image below



All Halliday & Baillie Stair brackets comply with Australian
New Zealand and US standards

<http://www.hallidaybaillie.com/>

EMAIL: SALES@HALLIDAYANDBAILLIE.COM

PHONE: 02 9699 3330

FAX: 02 9699 3660

GLASS FIX KITS FOR EACH FINISH

ORDER CODE: HB522 - FOR HB520

ORDER CODE: HB533 - FOR HB530

OPTIONAL ROSE FOR EACH FINISH

ORDER CODE: HB520R for HB520

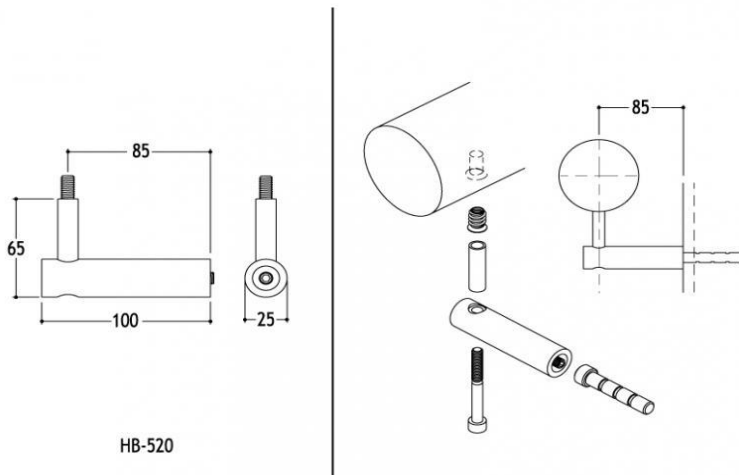
ORDER CODE: HB530R for HB530

Recommended spacings between each bracket - 600 - 800mm

For an interactive installation video visit:

www.hallidaybaillie.com

Under products, click on Stair rail fittings and click on HB520 then on image of stairs



If you require further information please phone our sales team

<http://www.hallidaybaillie.com/>

EMAIL: SALES@HALLIDAYANDBAILLIE.COM

PHONE: 02 9699 3330

FAX: 02 9699 3660