

**HALLIDAY & BAILLIE CAVITY SLIDING
PRIVACY SYSTEM FOR TIMBER SLIDERS**

Privatise a room with the Halliday & Baillie Privacy System
Very discrete emergency release mechanism

This system has been designed to carry through the same visual
where you have used the HB665 standard flush pull & the
HB680 but need to or wish to privatise a room.

NOTE: The absolute minimum the slider can be is 36mm.

**The ideal slider thickness is 40mm, however we do provide a longer
extended spindle inside each system for any further door thickness.
You simply cut this down to fit your slider.**

(Sold complete ready for installation)

(see over page for line drawings)

Order Codes:

HB 695 - PEARL SATIN SILVER (marine zinc coated)*

HB695B - OILED DARK BRONZE

HB695C - MIRROR CHROME

HB695N - NICKEL(stainless steel colour)

*Image shows the snib side, snib pushes
upwards to latch into a strike plate on
frame/jam side. When sliders fully hidden
into cavity/pocket simply push the
touch catch to bring out the
handle to bring out from the space,
push back into place, use pulls to
slide to close position.*



*Image shows the discrete emergency
release side. Simply put a pen or knife
end into the tiny hole and push up to
disarm. Image shown below is
the HB690 size.*



***If chosen to use externally, this finish is treated for outdoor**

coastal use with normal expected maintenance programme to be in place.*

If using externally you would choose not to install release side.

**NB: this may not comply with insurance key lock policies
please check your individual insurers.**

<http://www.hallidaybaillie.com/>

Centre to snib is 55mm

Maximum Stile width for this lock is 90mm to avoid hitting any glazing
as the centre measurement is 55mm the ideal stile width is 110mm

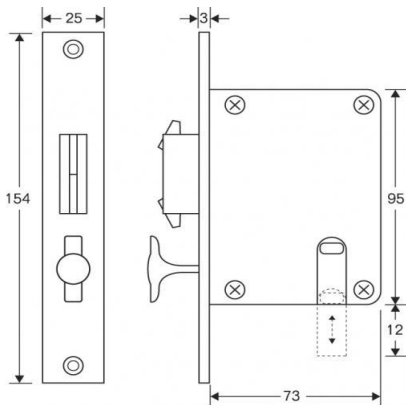


Fig.1 Lockset Dimension Drawing

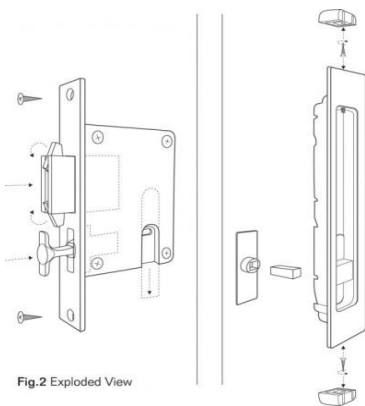


Fig.2 Exploded View

***Please note that the drawing shows our HB690 (170mm)
It is the same except for the fact that this product has
a 250mm long flush pull supplied with it.***