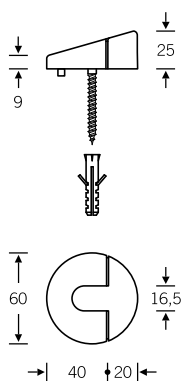


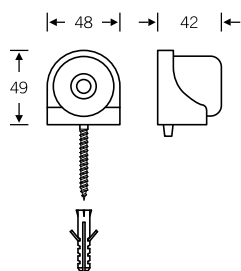
Door stops

- Aluminium
- Stainless steel
- Bronze

38 3816

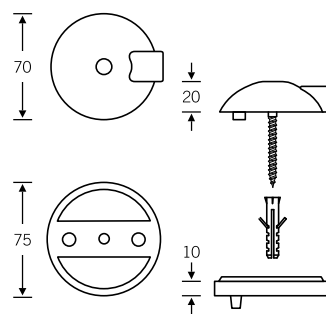


38 3888



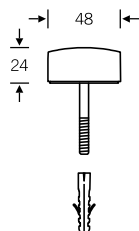
38 3884

38 3884 00000 Door stops
38 3884 00010 Black baseplate

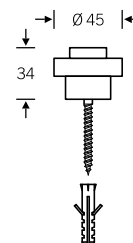


38 3878

Design: Christoph Ingenhoven



38 3881



It is necessary before ordering or fitting door stops to ascertain the weight of the door, its angle of impact, the height of its bottom edge above the floor and the strength of the floor.

Depending on what's actually required, it is possible to choose between basic stops, stops with anti-twist protection, stops with baseplates and directional/non-directional stops as well as between basic floor fixing or advanced fixing with plugs.