

Recessed lever handles

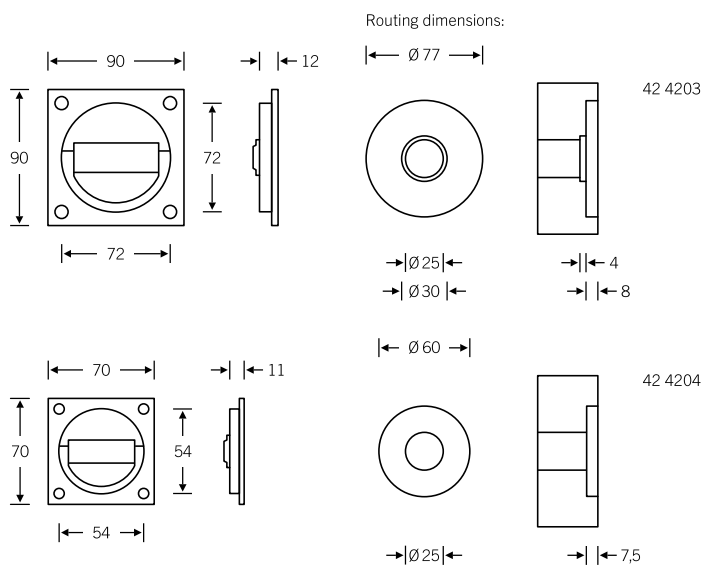
Flush ring handle

- Aluminium
- Stainless steel
- Bronze

42 4203 | 42 4204 ■

42 4203 00010 (square 8 mm)
42 4203 00014 (square spindle 8 mm)

42 4204 00010 (square 8 mm)
42 4204 00014 (square spindle 8 mm)



Please specify door thickness or spindle projection when ordering.

Drill hole for countersunk screws 3,5 mm