



**halliday
baillie**

HB 1225

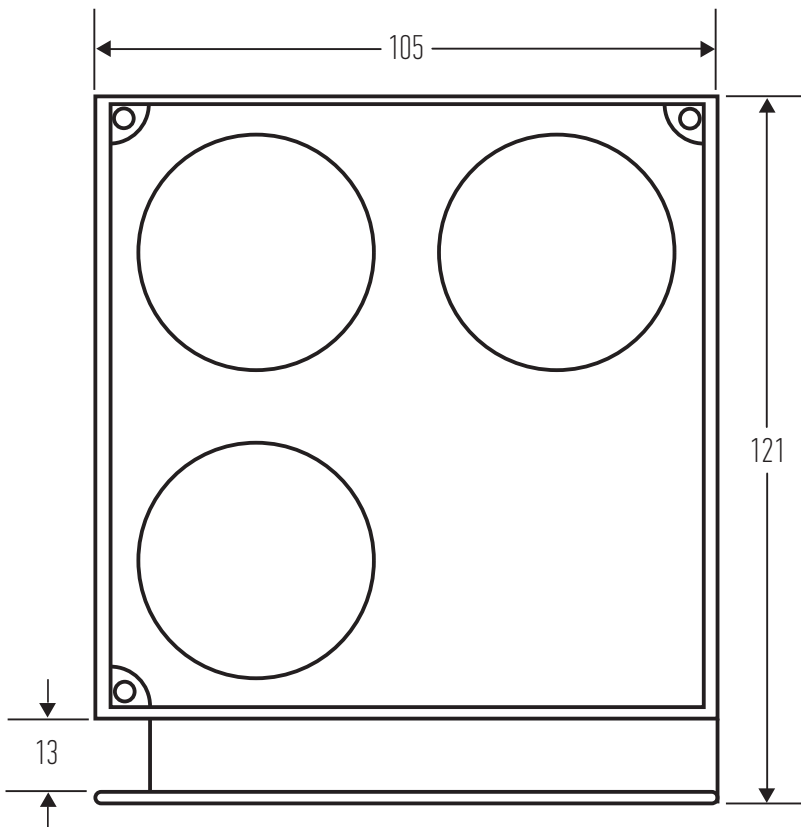
BLIND BOX SINGLE END CAP PAIR

End caps for neat finishing of the HB1220 Full Blind Box Extrusion. Like the box extrusion, end caps enable flush mounting of ceiling plaster board (10mm or 13mm).

For HB 1220 Single Blind Box Extrusion – sold in pairs.

Materials: Extruded Aluminium, available in raw unfinished aluminium only. Raw extrusion can be powdercoated or custom finished by client. We recommend cutting to size before colour finishing is undertaken to ensure edges are coloured and cutting does not chip powder coating.

When window width does not go wall to wall you will need end caps as pictured.



Designed and manufactured in New Zealand. For more information, installation templates, and measured drawings of this product and others please visit : www.hallidaybaillie.com or contact your authorized Halliday + Baillie dealer. All information subject to change.