

**halliday
baillie**

HB 1480 SERIES - 310mm FLUSH PULLS OFFSET GRIP DOOR SERIES – 55mm BACKSET

The HB 1480 Offset Pull Door series has been developed primarily for use on large doors where scale is required, or the doors are particularly heavy. These sets can function on oversized sliding doors for extra purchase, or on bifold doors.

Sets utilize the longer HB 1475 flush pulls which offer a deeper internal finger area and an offset grip to one side resulting in left and right-handed options. Please indicate whether a left or right-handed snib flush pull is required for order.

Flush Pull Material : Milled Solid Brass

Lock Body Material : Diecast Zinc, Brass, 316 Stainless Steel

Backset : 55mm

Minimum door thickness : 45mm

Flush pulls : 310 x 50 x 17

Internal grip depth : 15mm

Suitable for timber or large profile aluminium doors.

Standard HB 1480 set includes :

- HB 690 Series Lock Body
- Two HB 1475 Flush Pulls
- HB 1410 Fixing Kits (one set for HB 1483)
- Strike and Dust Box
- Two spindle lengths (please specify door thickness for doors over 60mm)
- Fasteners

Configurations :

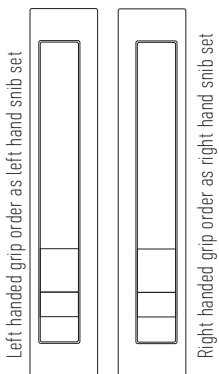
HB 1480 : Privacy Set, Snib Inside, ER Indicator Outside

HB 1482 : Snib Inside, Blank Outside

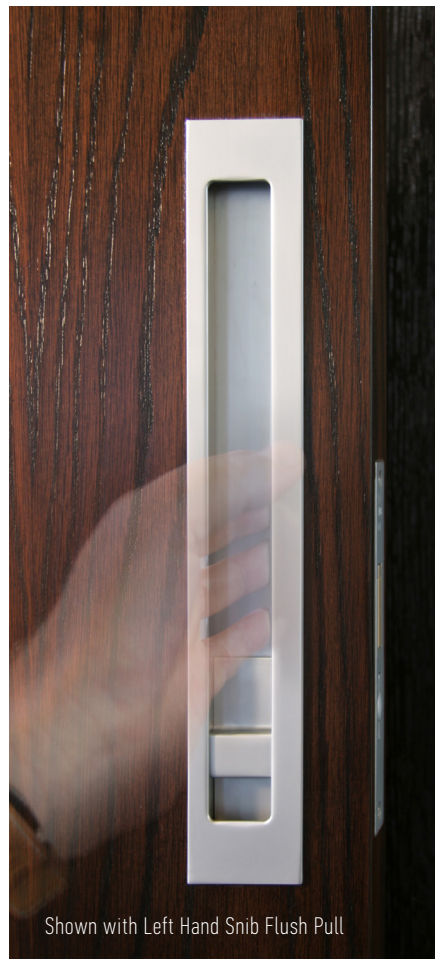
HB 1483 : Snib Inside, No Pull Outside

HB 1484 : Snib Both Sides (passage latch)

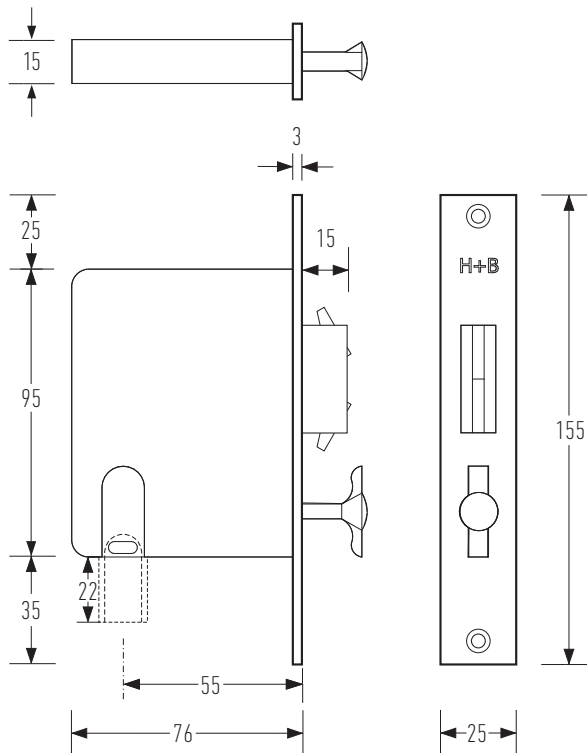
Available in all standard Halliday + Baillie finishes, see finishes sheet for further details.



Please note the snib flush pull denotes the handing of the set.



Shown with Left Hand Snib Flush Pull



dustbox and strike plate

To be used with HB1410
Timber Fixing Kit on timber doors



HB 1480 LH configuration HB 1482 LH configuration HB 1483 LH configuration HB 1484 configuration

Designed and manufactured in New Zealand. For more information, installation templates, and measured drawings of this product and others please visit : www.hallidaybaillie.com or contact your authorized Halliday + Baillie dealer. All information subject to change.