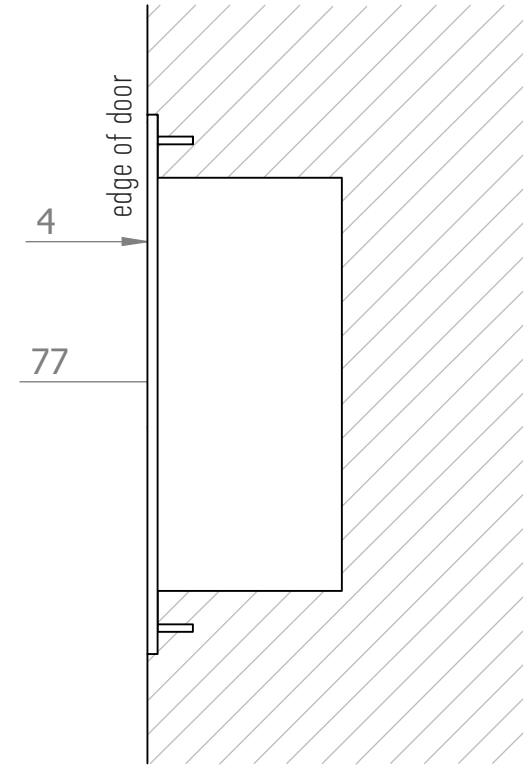
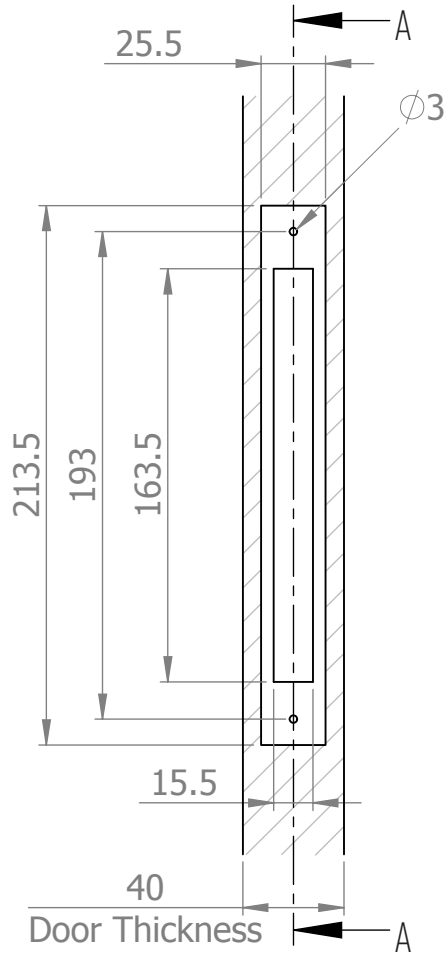
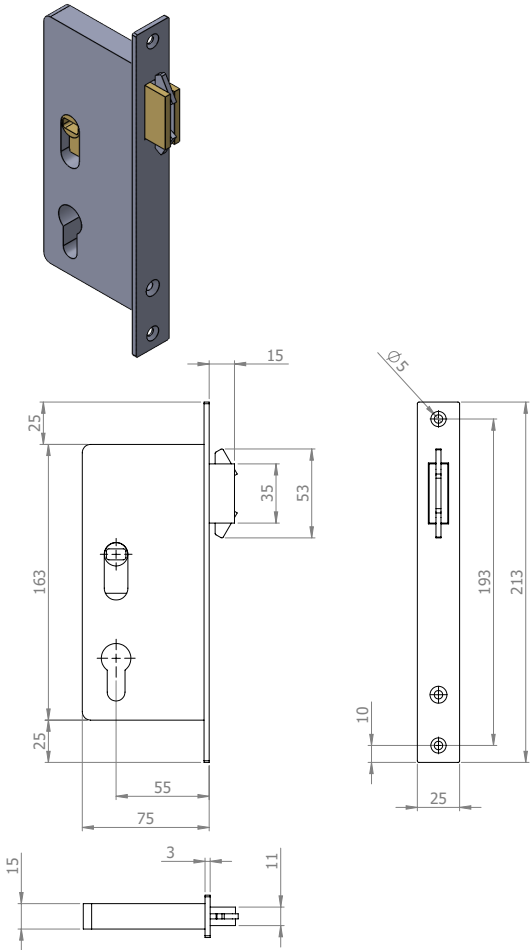




Milling Drawing for timber doors



Section A-A

HB 630 - Lock Body

Milling Information for HB 630

Drawings not to scale, all dimensions in mm.

Designed and manufactured in New Zealand. For more information, installation templates, and measured drawings of this product and others please visit : www.hallidaybaillie.com or contact your authorized Halliday + Baillie dealer. All information subject to change.