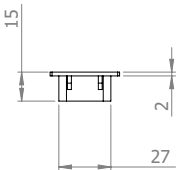
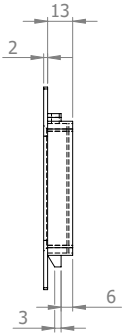
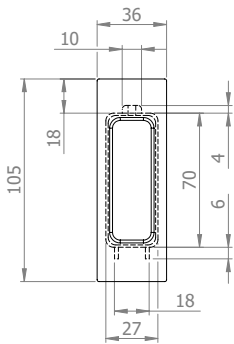
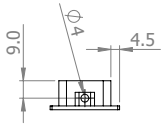
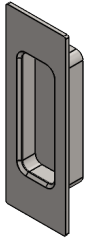
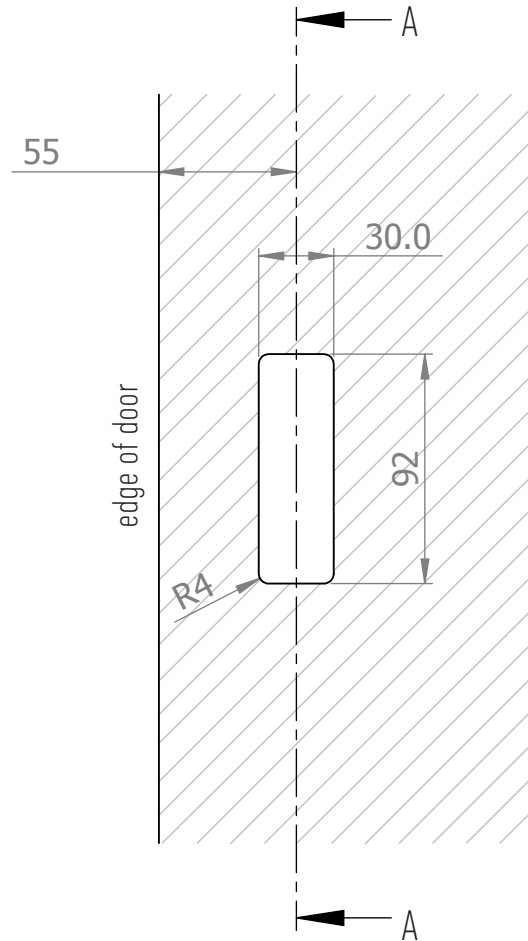


**halliday  
baillie**

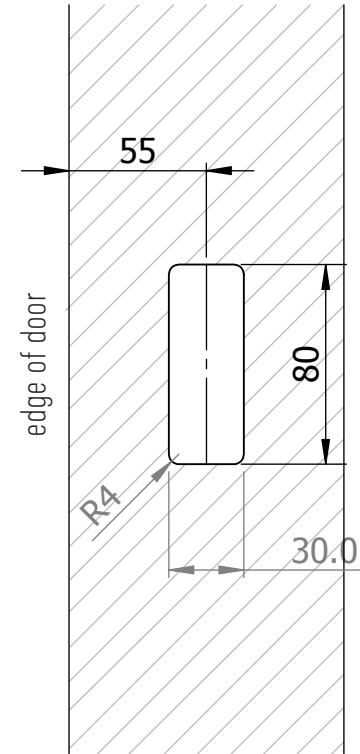


Milling Drawing for timber doors



Section A-A

Milling Drawing for aluminium doors



**HB 650 - Blank Only**  
Milling Information for HB 650

Drawings not to scale, all dimensions in mm.

Designed and manufactured in New Zealand. For more information, installation templates, and measured drawings of this product and others please visit : [www.hallidaybaillie.com](http://www.hallidaybaillie.com) or contact your authorized Halliday + Baillie dealer. All information subject to change.