

**halliday  
baillie**

## HB 1011/250

### RETRO FIT FRAMED SQUARE GRILL

Retro Fit Framed Square Grill vent for flush mounting to ceiling plasterboard (10mm or 13mm), where venting is required ie bathroom, laundry etc.

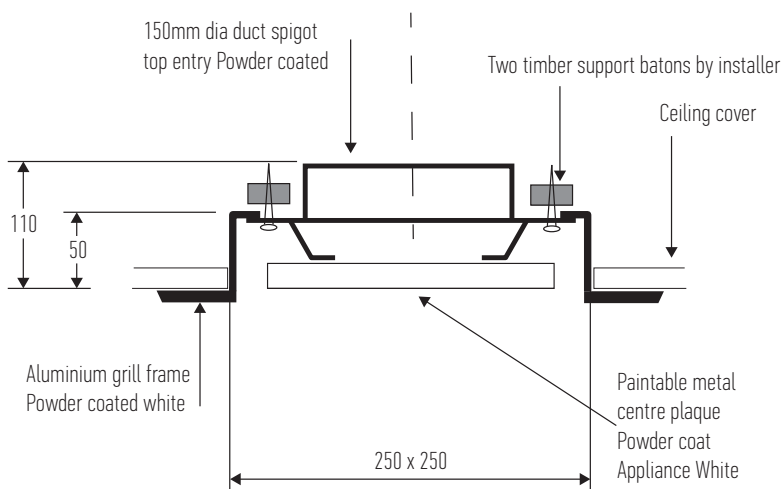
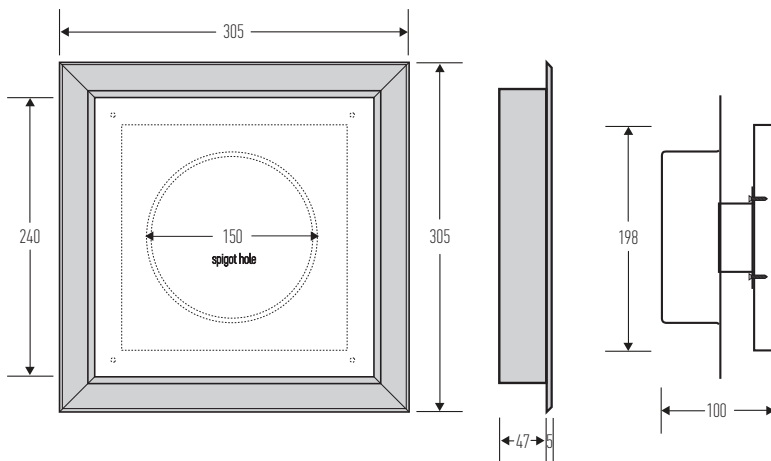
The unit is inserted into the ceiling to allow your flexible duct able to be pulled through the frame and attached to the spigot in the back of the central panel. Once fitted the exposed surface of the panel is level with the ceiling, with the internal housing providing a sleek negative detail.

Centre panel is powder coated metal available in appliance white as standard but can be lightly sanded and painted to match ceiling with black powder coated internal housing.

Appropriate for retro fit use, 250mm x 250mm, conduit fits most standard ducting (150mm spigot).

Please note: grill set only - ducting and fan systems not included.

Flow rate is 60-70 litres per second, pressure drop is 26 pa



Designed and manufactured in New Zealand. For more information, installation templates, and measured drawings of this product and others please visit : [www.hallidaybaillie.com](http://www.hallidaybaillie.com) or contact your authorized Halliday + Baillie dealer. All information subject to change.