



HB 527

HB 525

HB 527

STAIR RAIL BRACKET TO MATCH HB 525

The Halliday + Baillie HB 527 has been designed to match the HB 525 where provision for electricity through the wall and bracket is required. For the wiring compatible counterpart please see the HB 525 where wiring for LED strip lights is required.

The HB 525 - HB 528 brackets come in both wiring capable and 'blank' versions and are still suitable for use with 40mm to 50mm diameter rails.

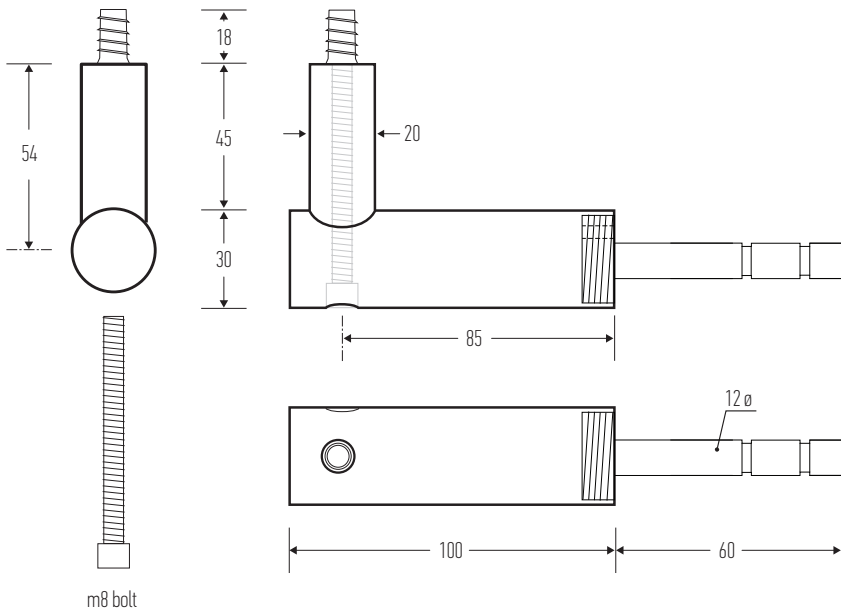
Projection from wall (offstand) : 100mm
Overall height (upstand) : 75mm

Includes all fasteners including anchor for concrete, masonry or wood framed plasterboard walls. Epoxy not included. (please contact your local H+ B dealer for further information).

Material : non-anodized aluminium alloy
Recommended Spacing : 600-800mm

Available in all standard finishes except "BN" Brushed Nickel. See finishes sheet for further details.

Glass fixing kits not available for styles HB 525, HB 526, HB 527 and HB 528.



Halliday + Baillie brackets are tested in accordance with both the AS/NZS 1170.1:2002 (Structural Design Actions) standards and the International Building Code, IBC (2003) to comply with the 200lb fall rating.

Designed and manufactured in New Zealand. For more information, installation templates, and measured drawings of this product and others please visit : www.hallidaybaillie.com or contact your authorized Halliday + Baillie dealer. All information subject to change.

