



**halliday
baillie**

HB 860 BRASS SOFT EDGE FLUSH PULL 170mm

The Halliday + Baillie HB 860 Soft Edge Flush Pull is the first in a new series designed for projects searching for a traditional look with a twist. All of the Soft Edge Series are milled from solid brass, and come in matching finishes to our Brass D Pull range. The back plate is screwed on allowing for some finish customisation by the customer to match specific project aesthetics.

To ensure a seamless look throughout a project, a matching bathroom privacy set HB 890 is available with our HB 690 lock bodies for specification on privacy doors for cavity sliders.

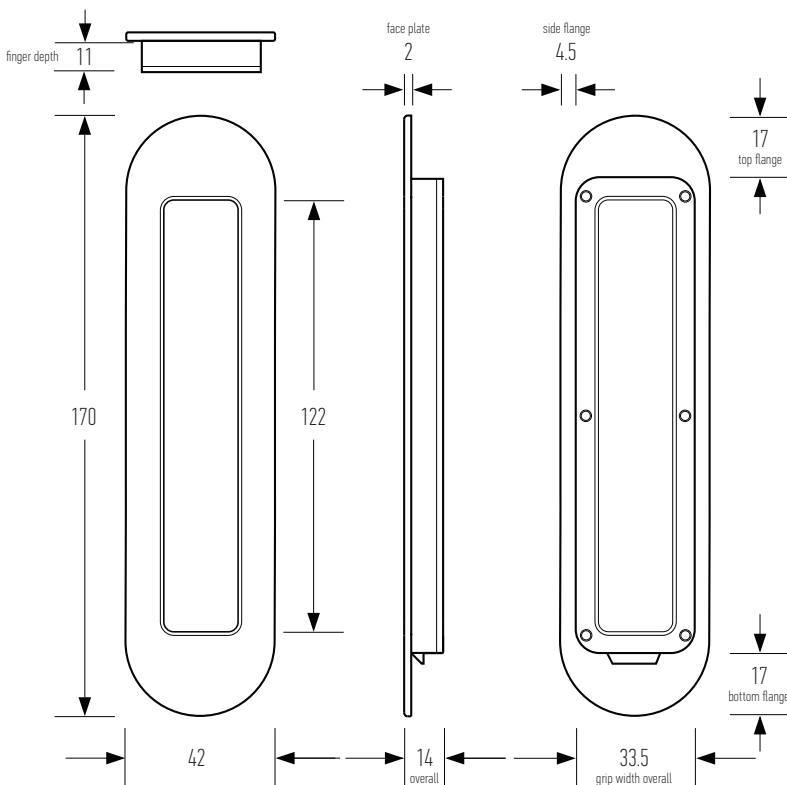
If using back to back together with the HB 680, a minimum door thickness of 35mm is required.

Use with the HB 604 Timber Fixing kit, sold separately.

Material : Solid Brass, Stainless Steel screws
Dimensions : 170mm x 42mm x 13mm
Internal grip depth : 11mm

Suitable for timber or aluminium doors.

Please note all finishes below are unlacquered:
AB : Aged Brass SB : Satin Brass
PB : Polished Brass KC : Black Chrome



Standard
Flush Pull



To be used with the
HB 604 Timber Fixing
Kit on timber doors

Designed and manufactured in New Zealand. For more information, installation templates, and measured drawings of this product and others please visit : www.hallidaybaillie.com or contact your authorized Halliday + Baillie dealer. All information subject to change