

**halliday
baillie**

HB 125

600mm SURFACE MOUNTED BOLT

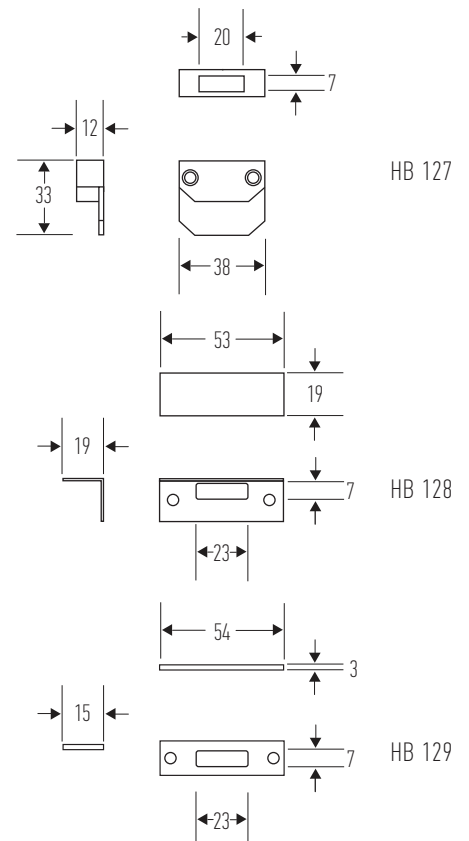
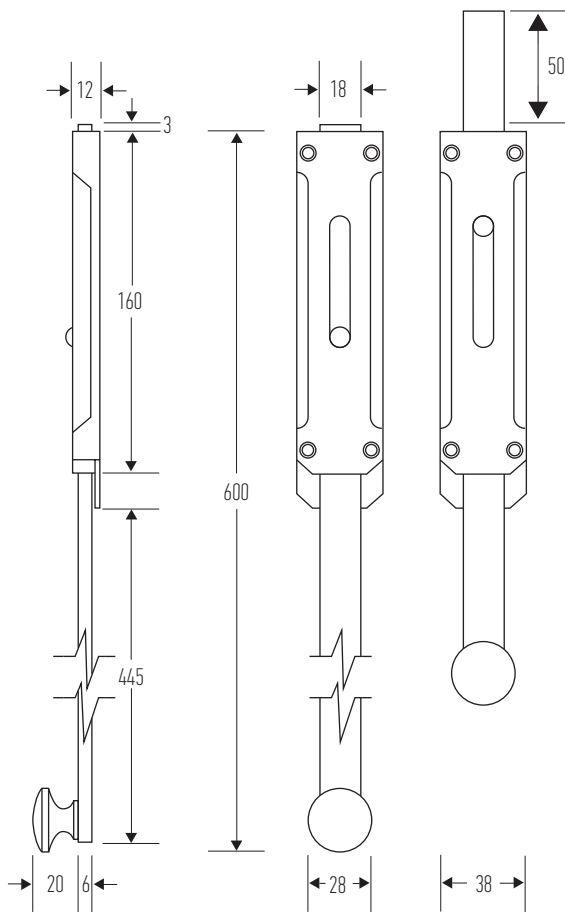
Milled from solid brass, the HB 125 Surface Mounted Bolts come in a range of finishes, and are ideal for large scale French doors where flush mounting is not required. Bolts are available in standard lengths of 600mm or the shorter HB 120 in 300mm (overall length). These can be cut to custom lengths on request. Custom lengths may incur additional cost and lead times.

HB 125 Bolts include an HB 127 keeper, as per the photographs and a range of keepers and strikes are available separately for various fixing situations. Please see below for line drawings and codes of the variations available.

Material : Milled from solid brass

Dimensions : 602 x 38 x 13 (with the bolt in the open position)

Available in all standard Halliday + Baillie finishes. See finishes sheet for further details.



Designed and manufactured in New Zealand. For more information, installation templates, and measured drawings of this product and others please visit : www.hallidaybaillie.com or contact your authorized Halliday + Baillie dealer. All information subject to change.