



**halliday
baillie**

HB 1820 FLUSH BOLT (ROUND THROW)

The HB 1820 has evolved to complement the range of Halliday + Baillie flush pulls. The bolts are milled from solid brass, and incorporate a tension adjusting mechanism in the back for smooth operation. The HB 1820 has a one metre extension kit available when the bolt is needed away from the top of the door, HB 1825. Also available is the HB 1810 which as a flat bar mechanism ideal for aluminium joinery.

Please check dimension drawing re suitability of the bolt throw offset with your track requirements.

Suitable for timber or aluminium doors. Use the HB 1850 Timber Fixing Kit for timber doors.

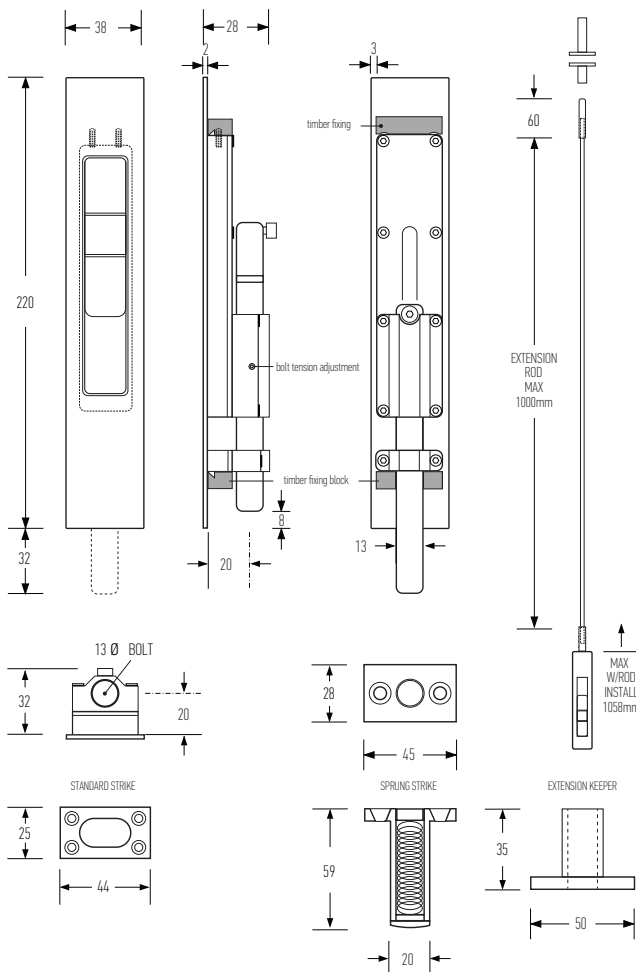
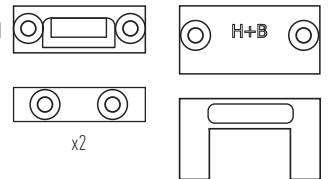
Minimum door thickness : 43mm for timber doors, 36mm for aluminium doors.

Material : Milled solid brass and stainless steel

Dimensions : 220 x 38 x 28

Available in all standard Halliday + Baillie finishes. See finishes sheet for further details.

HB 1850 : Timber Fixing Kit
Three mounting blocks provided for various fixing details.
Please contact your local Halliday + Baillie dealer for further information.



Designed and manufactured in New Zealand. For more information, installation templates, and measured drawings of this product and others please visit : www.hallidaybaillie.com or contact your authorized Halliday + Baillie dealer. All information subject to change.