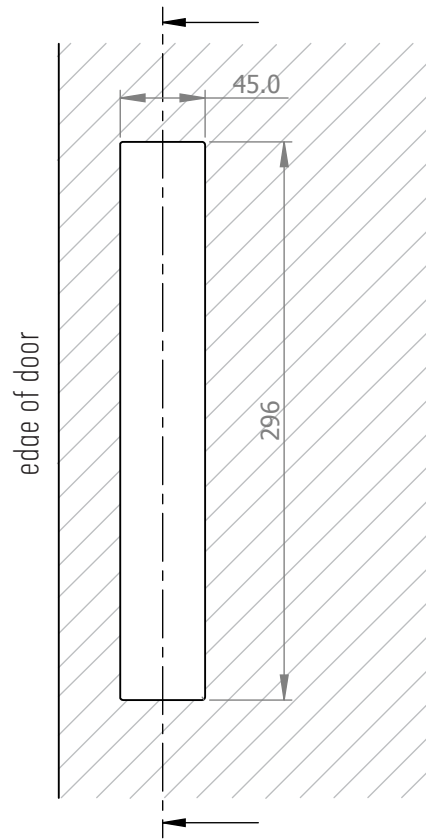
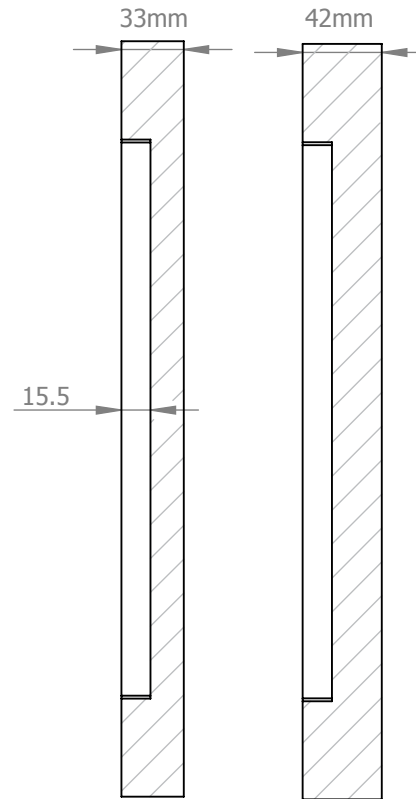


Milling Drawing for timber doors



Minimum Door thickness.
For back to back installation

Minimum Door thickness.
For back to back installation
with End Pull.



Section A-A

Milling Drawing for aluminium doors

