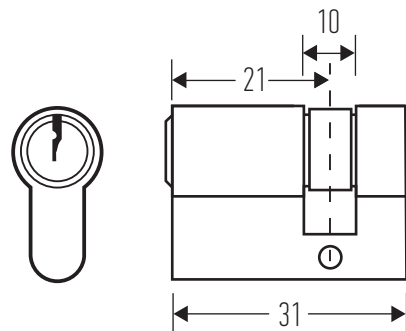
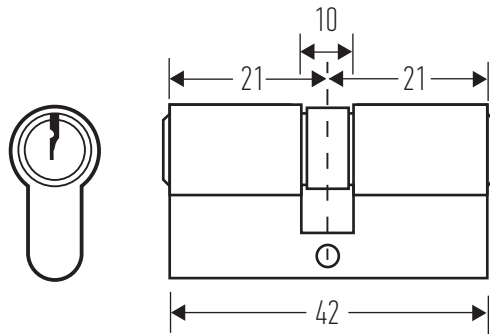


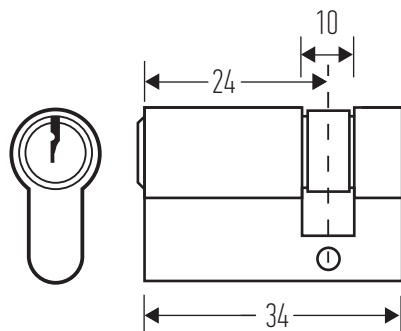
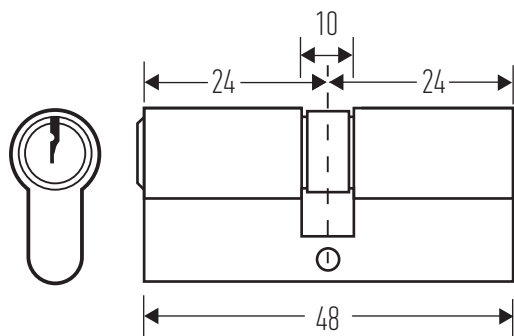
CLF 40XX CYLINDERS

(42mm end to end and 21mm from centre of cam to end)



CLF 48D & CLF 48S CYLINDERS

(48mm end to end and 24mm from center of cam to end)



EURO CYLINDER

All of the Halliday + Baillie lock sets and stand alone mortice locks use standard Euro profile cylinders. While any Euro cylinder will work in these sets, we make two lengths in various finishes as both single and double cylinder variations specifically for use with sliding doors.

The shorter of the two – the CLF40XX versions – are ideal for 38mm thick doors. The CLF48D and CLF48S cylinders are primarily for use with doors 38-45mm thickness. Other cylinder sizes may be available on request.

Double key cylinders are used with the following sliding door sets:

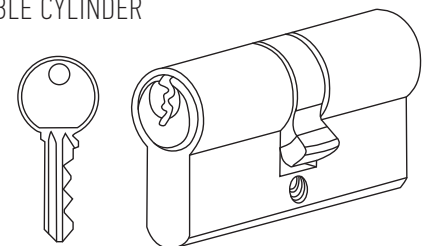
- HB630
- HB638
- HB640

Single key cylinders are used with the following sliding door sets:

- HB632
- HB633
- HB636
- HB637
- HB642
- HB643

Available in Satin Chrome, Bronze and Black. Brass available by custom order.

DOUBLE CYLINDER



SINGLE CYLINDER

