



**halliday  
baillie**

## HB 500 STAIR RAIL BRACKET

The Halliday + Baillie HB 500 Stair Rail Bracket provides a flexible solution for 30-50mm diameter timber rails.

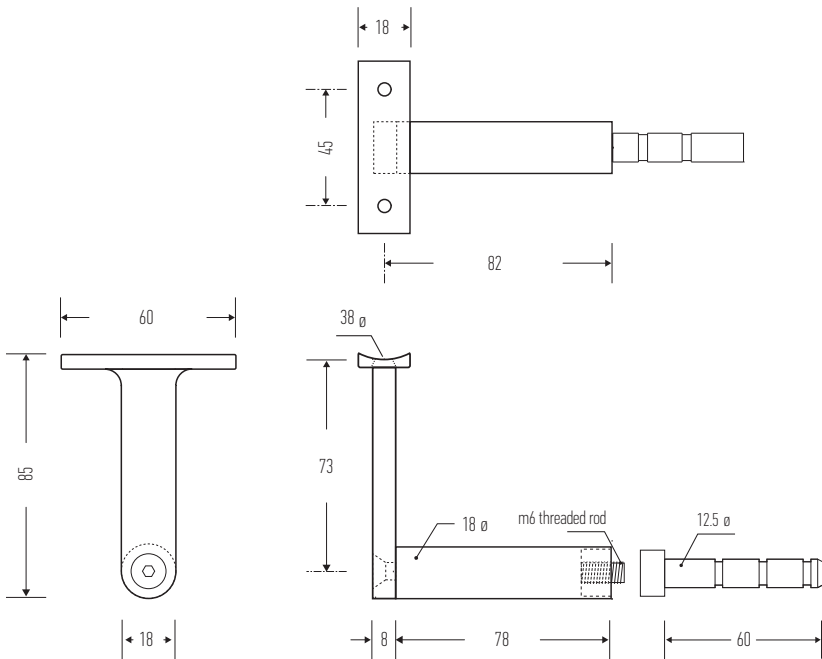
Suitable for interior or covered exterior situations. For exterior or marine environments, please specify the HB 510 bracket in marine grade 316 stainless steel.

Projection from wall (offstand) : 83mm  
Overall height (upstand) : 85mm

Includes all fasteners including anchor for concrete, masonry or wood framed plasterboard walls. Epoxy not included.  
(please contact your local H + B dealer for further information).

Material : non-anodized aluminium alloy  
Recommended Spacing : 600-800mm

Available in all standard finishes except "BN" Brushed Nickel. See finishes sheet for further details.

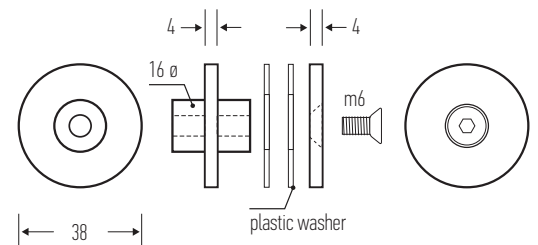


## HB 502 GLASS FIXING KIT FOR HB 500 BRACKET

Suitable for 10-15mm glass thickness.

Finishes to match the HB 500 Bracket.

Glass fixing kits sold separately (used in conjunction with the bracket, and not as a replacement).



Halliday + Baillie brackets are tested in accordance with both the AS/NZS 1170.1:2002 (Structural Design Actions) standards and the International Building Code, IBC (2003) to comply with the 200lb fall rating.

Designed and manufactured in New Zealand. For more information, installation templates, and measured drawings of this product and others please visit : [www.hallidaybaillie.com](http://www.hallidaybaillie.com) or contact your authorized Halliday + Baillie dealer. All information subject to change.