

**halliday
baillie**

HB 510 STAIR RAIL BRACKET

The Halliday + Baillie HB 510 Stair Rail Bracket provides a flexible solution for 30-50mm diameter timber rails.

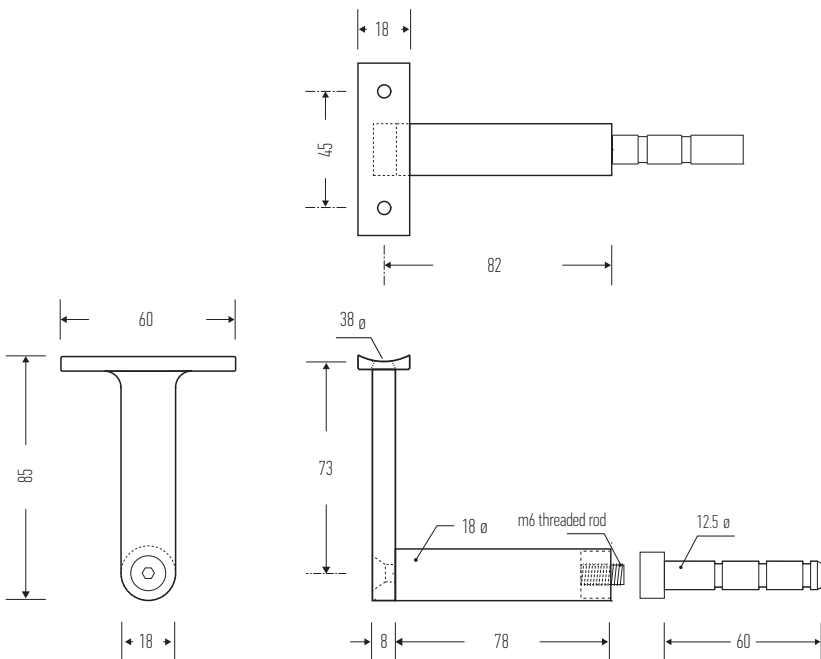
Cast and machined from 316 marine grade stainless steel, the HB 510 is suitable for exterior situations. For interior use, in a range of finishes please see the HB 500 bracket in aluminum.

Projection from wall (offstand) : 83mm
Overall height (upstand) : 85mm

Includes all fasteners including anchor for concrete, masonry or wood framed plasterboard walls. Epoxy not included.
(please contact your local H + B dealer for further information).

Material : marine grade 316 stainless steel
Recommended Spacing : 600-800mm

Available in bead blasted stainless steel only. See finishes sheet for further details.



Halliday + Baillie brackets are tested in accordance with both the AS/NZS 1170.1:2002 (Structural Design Actions) standards and the International Building Code, IBC (2003) to comply with the 200lb fall rating.

Designed and manufactured in New Zealand. For more information, installation templates, and measured drawings of this product and others please visit : www.hallidaybaillie.com or contact your authorized Halliday + Baillie dealer. All information subject to change.

© 2023 v1 Halliday + Baillie Ltd.



HB 512 GLASS FIXING KIT FOR HB 510 BRACKET

Suitable for 10-15mm glass thickness.

Finished to match the HB 510 Bracket.

Glass fixing kits sold separately (used in conjunction with the bracket, and not as a replacement).

