



HB 527

HB 525

## HB 525

### STAIR RAIL BRACKETS WITH WIRING CAPABILITY

The Halliday + Baillie HB 525 has been developed from the HB 520 Bracket. The HB 525 incorporates a channel in both the body and upstand allowing for wiring to connect to LED lighting strips.

The HB 525 - HB 528 brackets come in both wiring capable and 'blank' versions and are still suitable for use with 40mm to 50mm diameter rails.

Projection from wall (offstand) : 100mm

Overall height (upstand) : 75mm

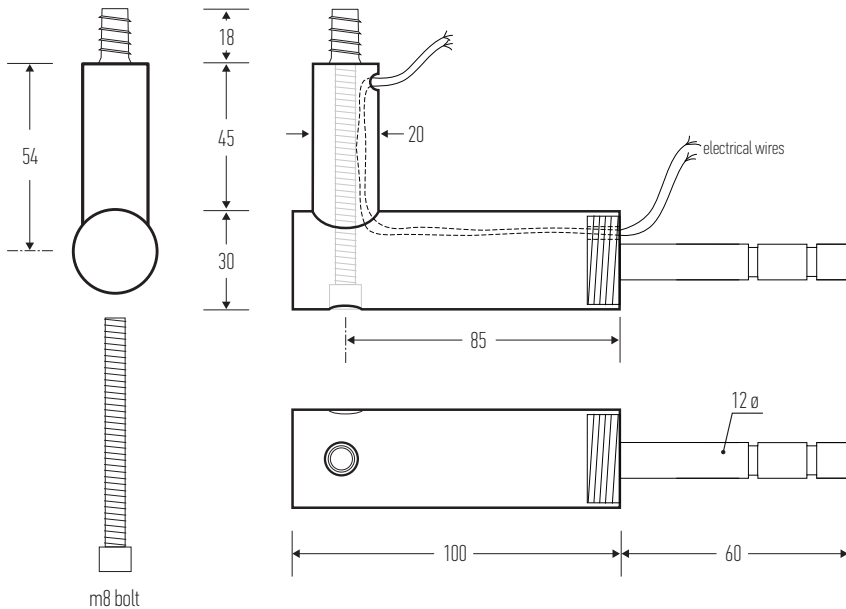
Includes all fasteners including anchor for concrete, masonry or wood framed plasterboard walls. Epoxy not included. (please contact your local H + B dealer for further information).

Material : non-anodized aluminium alloy

Recommended Spacing : 600-800mm

Available in all standard finishes except "BN" Brushed Nickel. See finishes sheet for further details.

Glass fixing kits not available for styles HB 525, HB 526, HB 527 and HB 528.



Halliday + Baillie brackets are tested in accordance with both the AS/NZS 1170.1:2002 (Structural Design Actions) standards and the International Building Code, IBC (2003) to comply with the 200lb fall rating.

Designed and manufactured in New Zealand. For more information, installation templates, and measured drawings of this product and others please visit : [www.hallidaybaillie.com](http://www.hallidaybaillie.com) or contact your authorized Halliday + Baillie dealer. All information subject to change.

