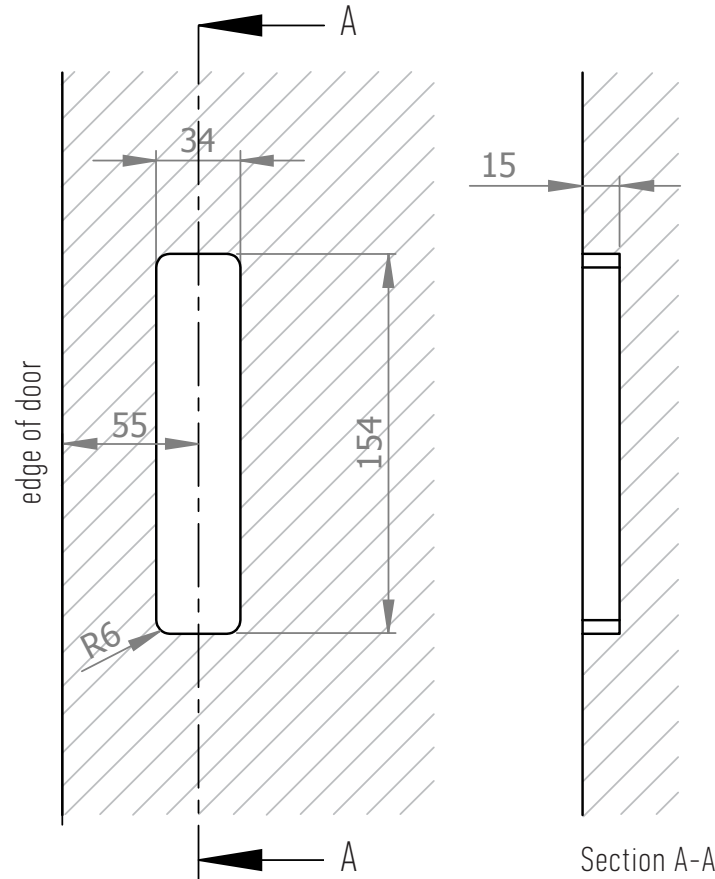
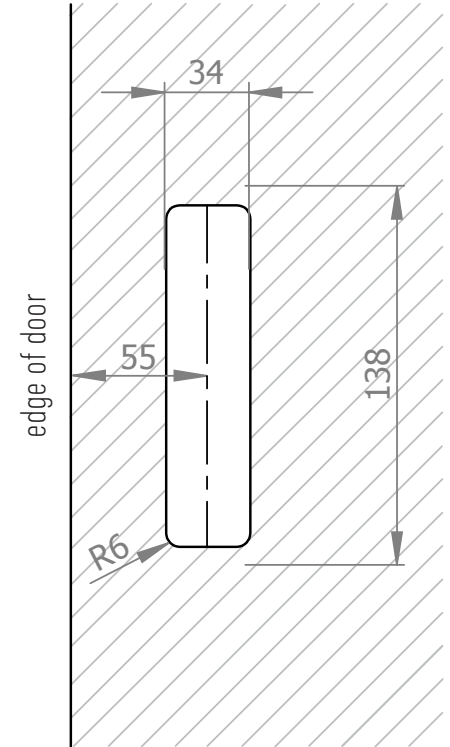


Milling Drawing for timber doors



Milling Drawing for aluminium doors



HB 860 - Blank, Snib & Indicator  
Milling Information for HB 860

Drawings not to scale, all dimensions in mm.

Designed and manufactured in New Zealand. For more information, installation templates, and measured drawings of this product and others please visit : [www.hallidaybaillie.com](http://www.hallidaybaillie.com) or contact your authorized Halliday + Baillie dealer. All information subject to change.