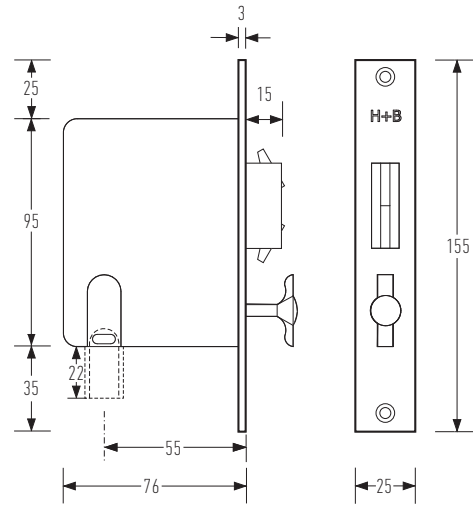
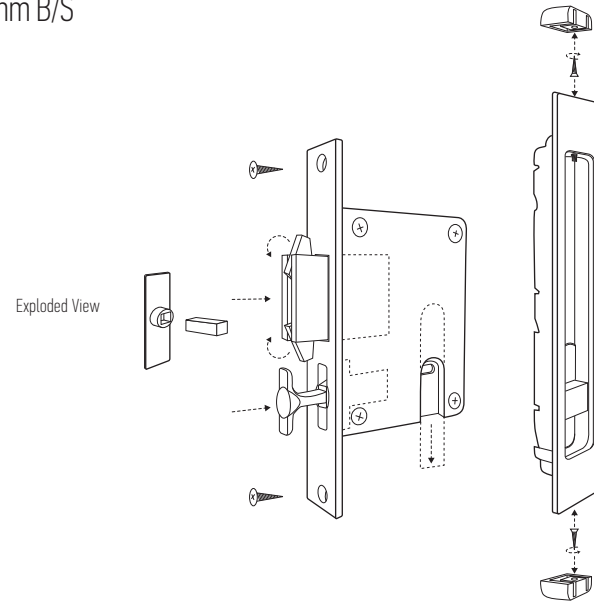


HB 690 Sliding Door Privacy Lock, 55mm B/S

Please note the standard HB 690 set are designed for 38mm doors or thicker however the HB 690-35 can be used for door thickness from 35-38mm.



Lockset Dimension Drawing



When installed with the snib slid down as far as possible (Fig. 1) the lock bolt and teeth will be retracted inside the body (Fig. 2). If the door is slid closed whilst the lock bolt is in the out/locked position (Fig. 3) you risk breakages to both the lock and the strike plate.

Once you have drawn your slider to its closed position in the frame, simply slide the snib up and the lock bolt and teeth will engage in the receiving strike.

The integrated pop out button is activated by pushing to extended and retract and is used to pull the door out of the cavity pocket.

THE LATCH SHOULD NEVER BE LEFT OUT WHEN PULLING YOUR SLIDER INTO THE CLOSING POSITION. DOING SO RISKS DAMAGE TO THE STRIKE PLATE AND THE LOCK.

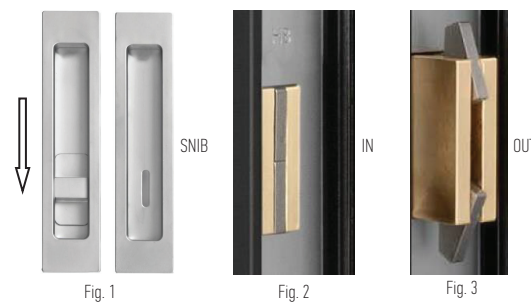


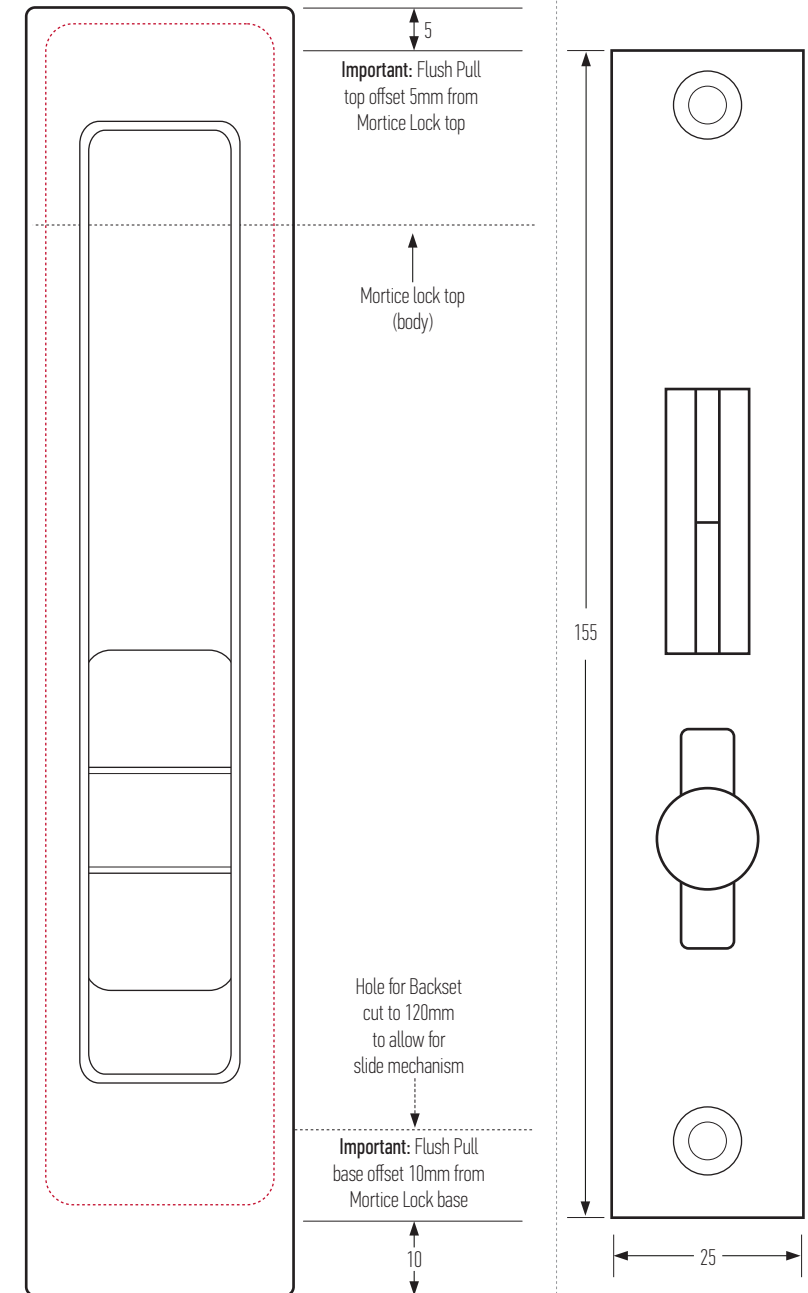
Fig. 1

Fig. 2

Fig. 3

handle inserted in door

lock inserted in door



Designed and manufactured in New Zealand. For more information, installation templates, and measured drawings of this product and others please visit : www.hallidaybaillie.com or contact your authorized Halliday + Baillie dealer. All information subject to change.