

HB 670

FLUSH PULL DEEP 170mm

The HB 670 is a variant of the HB 660 with the same external dimensions but a deeper internal depth of 16mm. It is ideal for applying the extra force you need to move large heavy sliders or for when a more generous grip is preferred.

If using back to back together with the HB 680 Edge Pull, a minimum of 45mm door is required.

Material : Diecast Zinc and Brass

Dimensions : 170 x 36 x 18

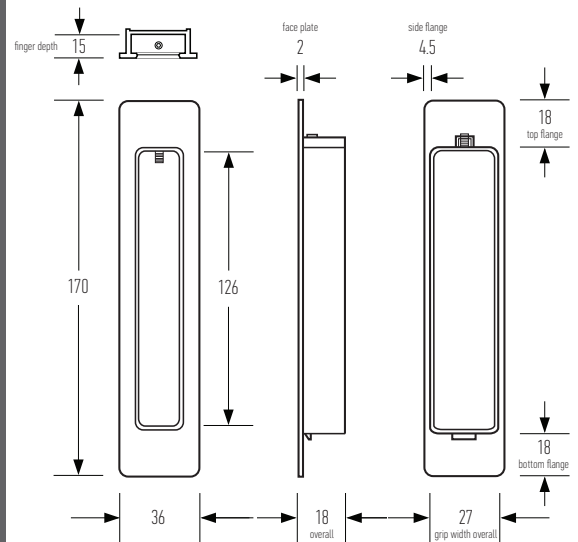
Internal grip depth : 15mm

Suitable for timber or aluminium doors.

Available in all standard Halliday + Baillie finishes. See finishes sheet for further details.



To be used with the HB 604 Timber Fixing Kit on timber doors, sold separately.



Designed and manufactured in New Zealand. For more information, installation templates, and measured drawings of this product and others please visit : www.hallidaybaillie.com or contact your authorized Halliday + Baillie dealer. All information subject to change.