

**halliday
baillie**

HB 620 Passage Set

The Halliday + Baillie HB 620 Set, includes two HB 660 Flush Pulls and the HB 680 Push Button Edge Pull. The slim faceplate, smooth push-button release and narrow 49mm body depth make it suitable for sliding wood passage doors, including wide stile timber and aluminum cavity sliding doors.

A minimum door thickness of 35mm is required.

Flush Pull

Material : Diecast Zinc and Brass

Dimensions : 170 x 36 x 13

Internal grip depth : 10mm

Edge Pull

Material : Diecast Zinc and Brass

Dimensions (overall) : 170 x 20 x 49

Dimensions (case to be morticed) : 100 x 49 x 12

Handle Projection : 19mm

Suitable for timber, aluminium and steel doors.

Available in all standard Halliday + Baillie finishes.
See finishes sheet for further details.

Standard HB 620 set includes :

2x HB 660 Flush Pulls

2x HB 604 Fixing Kits (one set for HB 660)

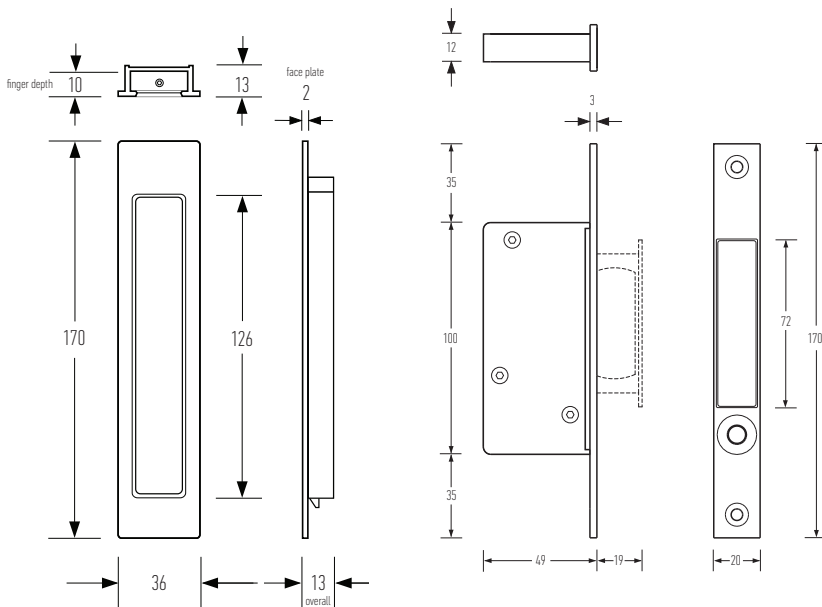
1x HB 680 Push Button Edge Pull + with all fixings



To be used with the
HB 604 Timber Fixing
Kit on timber doors.



Shown here with the HB 660 Flush Pull,
HB 680 Push Button Edge Pull



HB 660 FLUSH PULL

HB 680 PUSH BUTTON EDGE PULL

Designed and manufactured in New Zealand. For more information, installation templates, and measured drawings of this product and others please visit : www.hallidaybaillie.com or contact your authorized Halliday + Baillie dealer. All information subject to change.