

TE 526 3D

made of solid stainless steel for unrebated heavy-duty doors



Product features

- material stainless steel
- completely concealed hinge system
- for timber, steel or aluminium frames
- for unrebated heavy-duty doors
- 3D adjustment (side +/- 3,0 mm, height +/- 3,0 mm, compression +/- 1,0 mm)
- maintenance-free slide bearings

Technical details

Attributes	Value
Load capacity	120,0 kg
Overall length	155,0 mm
Width (door part)	26,0 mm
Width (frame part)	26,0 mm
Cutter diameter	24,0 mm
Collar ring diameter	30,0 mm
Opening angle	180°

Note

Quality marks

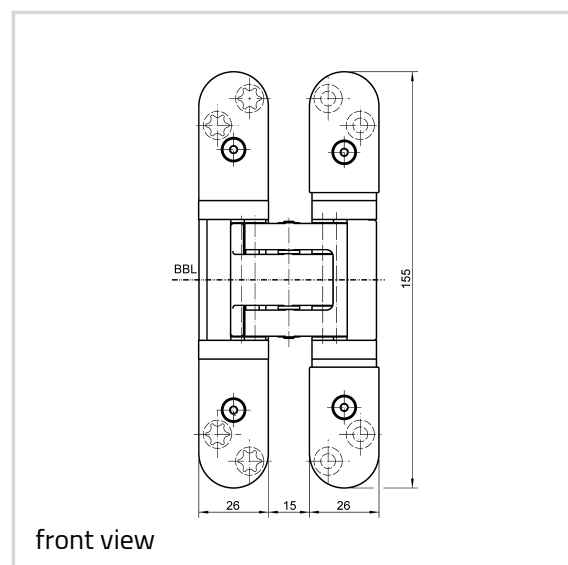
Certification CE

Certification UL

Classification key

4 7 6 1^{*1} 1 4 0 13

*1 Test evidence for functional doors to be achieved with full door sets and assemblies.



TECTUS - TE 526 3D

The load capacity mentioned above refers to the use of 2 hinges per door leaf (1 x 2 m), for detailed information please look at the chapter "technical information".

With an opening position of 180° the door may have to be fixed additionally.

Also available in Satin Stainless Steel grade 316.

Suitable for

Universal milling frame
 Drilling jig TECTUS TE 526/527 block frame and blind frame 3D
 Template 5 250547 6 frame / door

Combinations

TE 526/527 3D FZ
 TE 526/527 3D SZ
 TE 526/527 3D ST

Function range



burglar resistance



fire resistance



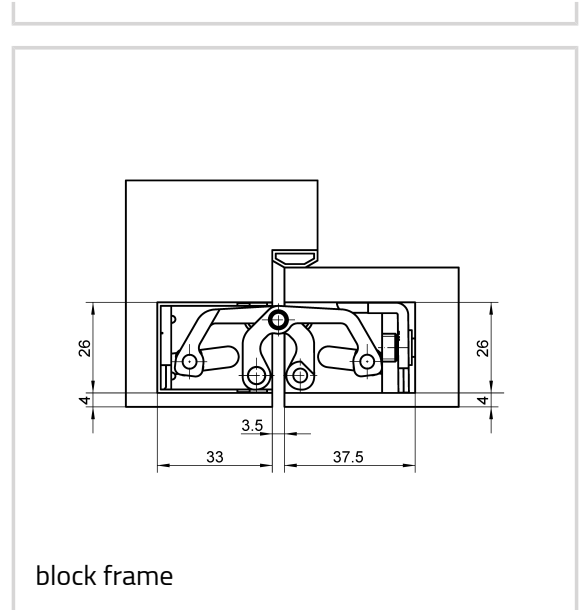
smoke resistance



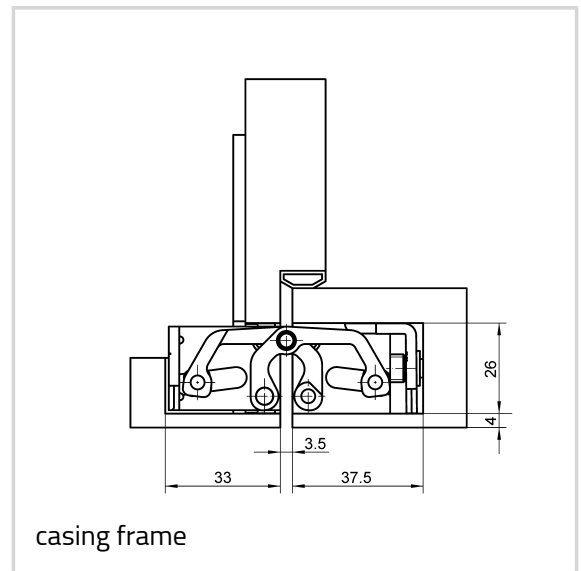
soundproof

Item

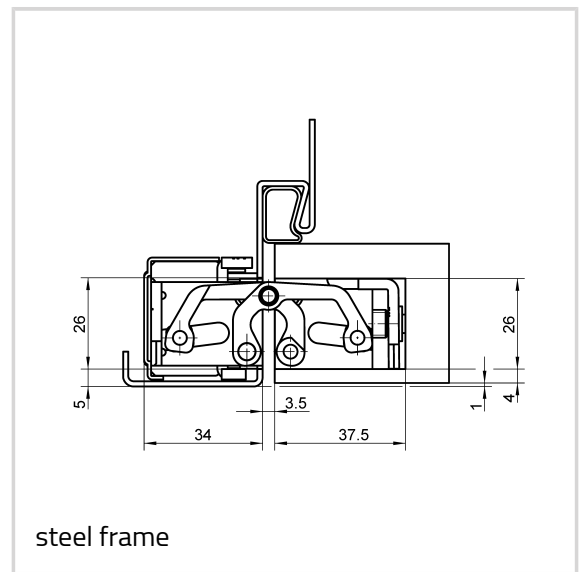
Finish(es)	Satin Stainless Steel (040)
OF-NR.	040
VPE	pack of 2
DIN	DIN right and left hand
Item No.	5 400561 0 04002
EAN	4015471110703
Finish(es)	pol. Stainless Steel (042)
OF-NR.	042



block frame



casing frame

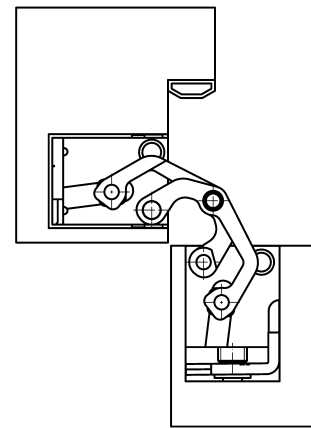


steel frame

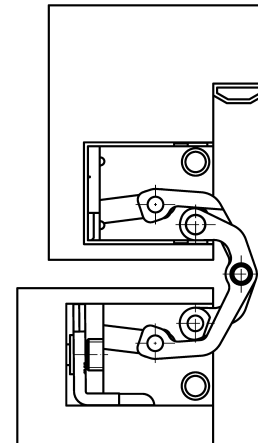
TECTUS - TE 526 3D

VPE	pack of 2
DIN	DIN right and left hand
Item No.	5 400561 0 04202
EAN	4015471120061

Finish(es)	coloured (079)
OF-NR.	079
VPE	EUR-pallet
DIN	DIN right and left hand
Item No.	5 400561 0 07975
EAN	4015471124601



block frame 90°



block frame 180°