



**halliday  
baillie**

## HB 640 SERIES

### SLIDING DOOR ENTRY LOCK SET – 33mm BACKSET

The Halliday + Baillie HB 640 narrow backset sliding door lock set series functions like the HB 630 series. It is designed for use primarily in aluminium sliding doors but can also be used in timber doors with narrow stiles. Sliding the "snib" (a slide block that acts like a traditional thumb turn) operates the bolt unless the cylinder is engaged. The key cylinder will lock the snib in place and does not activate the bolt. Various configurations are available as below.

Flush Pull Material : Diecast Zinc and Brass

Lock Body Material : Diecast Zinc, Brass, 316 Stainless Steel

Backset : 33mm

Minimum door thickness : 38mm

Flush pulls : 250 x 36 x 13

Internal grip depth : 11mm

Suitable for timber or wide profile aluminium doors

Standard HB 640 series set includes :

- HB 640 Series Narrow Lock Body
- Two HB 668 Flush Pulls
- HB 604 Fixing Kits (one set for HB 643)
- Strike and Dust Box
- Two spindle lengths (please specify door thickness for doors over 50mm)
- Fasteners
- Cylinder ordered separately for door thickness

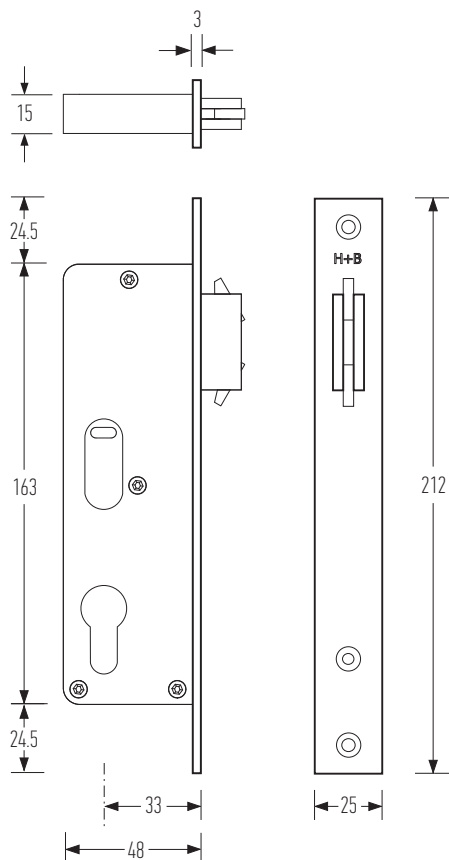
Configurations :

HB 640 : Key/Snib Both Sides

HB 642 : Key/Snib In, Blank Out

HB 643 : Key/Snib In, No Pull Out

Available in all standard Halliday + Baillie finishes, see finishes sheet for further details.



Designed and manufactured in New Zealand. For more information, installation templates, and measured drawings of this product and others please visit : [www.hallidaybaillie.com](http://www.hallidaybaillie.com) or contact your authorized Halliday + Baillie dealer. All information subject to change.