

**halliday
baillie**

HB 624 Passage Set

The Halliday + Baillie HB 624 Set, includes two HB 1470 Flush Pulls and the HB 680 Push Button Edge Pull. The slim faceplate, smooth push-button release and narrow 49mm body depth make it suitable for sliding wood passage doors, including wide stile timber and aluminum cavity sliding doors.

A minimum door thickness of 45mm is required.

Flush Pull

Material : Milled Solid Brass

Dimensions : 310 x 50 x 17

Internal grip depth : 15mm

Edge Pull

Material : Diecast Zinc and Brass

Dimensions (overall) : 170 x 20 x 49

Dimensions (case to be morticed) : 100 x 49 x 12

Handle Projection : 19mm

Suitable for timber or aluminium doors.

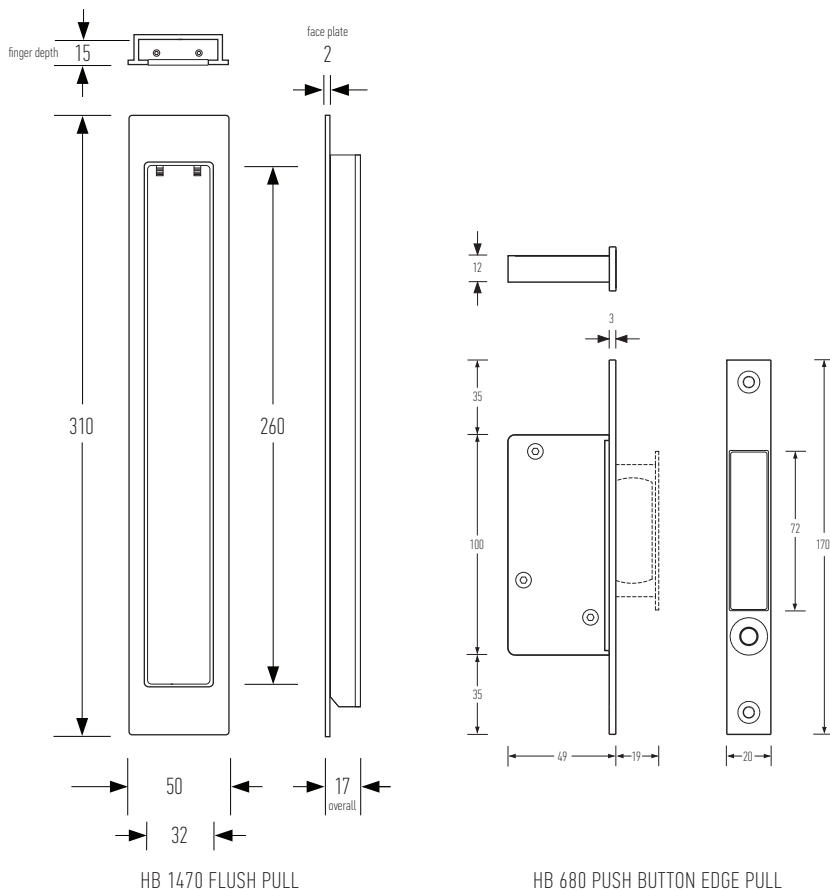
Available in all standard Halliday + Baillie finishes.
See finishes sheet for further details.

Standard HB 624 set includes :

2x HB 1470 Flush Pulls

2x HB 1410 Fixing Kits (one set for HB 1470)

1x HB 680 Push Button Edge Pull + with all fixings



Shown here with the HB 1470 Flush Pull,
HB 680 Push Button Edge Pull



To be used with the
HB 1410 Timber Fixing
Kit on timber doors.

Designed and manufactured in New Zealand. For more information, installation templates, and measured drawings of this product and others please visit : www.hallidaybaillie.com or contact your authorized Halliday + Baillie dealer. All information subject to change.