

**halliday
baillie**

HB 648 / HB 649 SERIES NARROW SLIDING DOOR SET – 33 BACKSET

The Halliday + Baillie HB 648 / HB 649 narrow backset sliding door set series is designed for use primarily in aluminum sliding doors and windows with narrow stiles, where a key lock is not required. Sliding the "snib" (a slide block that acts like a traditional thumb turn) operates the bolt. In these configurations the Euro profile cylinder is not utilized. Various configurations are available as below.

Flush Pull Material : Diecast Zinc and Brass

Lock Body Material : Diecast Zinc, Brass, 316 Stainless Steel

Backset : 33mm

Minimum door thickness : 38mm

Flush pulls : 170 or 250 x 36 x 13

Internal grip depth : 11

Suitable for timber or wide profile aluminum doors

Standard HB 648 / HB 649 series set includes :

- HB 640 Series Narrow Lock Body
- HB 660 or HB 665 Flush Pulls
- HB 604 Fixing Kits (one set for HB 648 and HB 649)
- Strike and Dust Box
- Two spindle lengths (please specify door thickness for doors over 50mm)
- Fasteners
- Cylinder ordered separately for door thickness

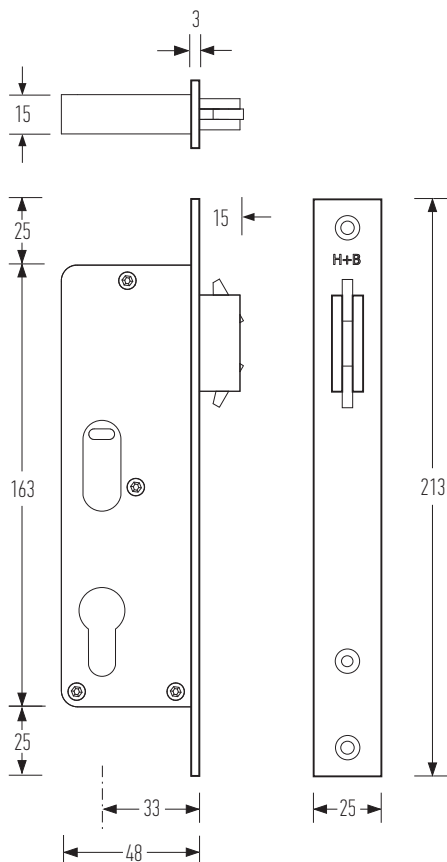
Configurations :

HB 648 : HB 665 Snib One Side, No Pull Out

HB 649 : HB 660 Snib One Side, No Pull Out

HB 649/2 : HB 660 Snib Inside, Blank HB 660 Pull Out

Available in all standard Halliday + Baillie finishes, see finishes sheet for further details.



HB 665 HB 660



dustbox and strike plate



To be used with the HB 604
Timber fixing Kit on timber doors

Designed and manufactured in New Zealand. For more information, installation templates, and measured drawings of this product and others please visit : www.hallidaybaillie.com or contact your authorized Halliday + Baillie dealer. All information subject to change.