



halliday baillie

HB2235 300mm D Pulls
 HB2240 600mm D Pulls
 HB2250 1200mm D PULLS

A perennial favourite the HB2200 Series solid brass unlacquered D Pulls are an elegant solution for all door types. Milled in solid brass, D Pulls come in 3 lengths and 4 finishes (Aged Brass, Polished Brass, Satin Brass, and Black Chrome). Please note that these are living finishes, they are not lacquered and will age gracefully over time. Pulls come with a variety of fixing sets, as listed below, along with a matching HB2260 Knob, as an option for single sided fixing particularly on frameless glass doors.

All D Pulls fixing sets are shipped with an additional solid brass rose. Installation of the rose is optional depending on your aesthetic, but it is strongly recommend that this is used on soft wood timbers such as cedar and pine. .

Please note all finishes below are unlacquered:

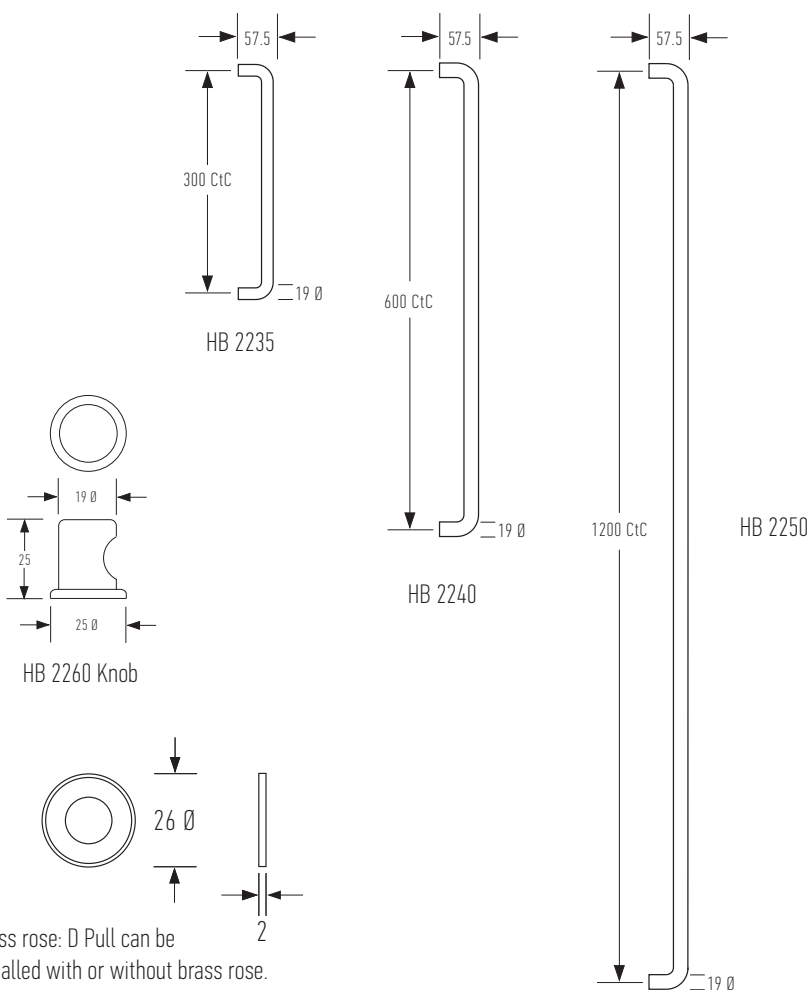
AB : Aged Brass

SB : Satin Brass

PB : Polished Brass

KC : Black Chrome

Center to Center length : 300mm, 600mm, 1200mm
 Projection : 57.5mm (without rose)



HB 2235 : D Pull 300mm Long, 19mm Rod
 HB 2240 : D Pull 600mm Long, 19mm Rod
 HB 2250 : D Pull 1200mm Long, 19mm Rod
 HB 2260 : Knob, Single Side Knob for 19mm Rod
 For offset versions please see offset series D Pulls

HB 2220 19mm BtB : Back to Back Kit, HB 2200 Series 19mm Rod
 HB 2220 19mm Face : Face Fix Kit, HB 2200 Series 19mm Rod
 HB 2220 19mm Glass : Glass Fix Kit, HB 2200 Series 19mm Rod
 HB 2220 19mm GBtB : Glass Back to Back Fix Kit, HB2200 Series 19mm Rod
 HB 2220 19mm TF : Through Fix Kit, HB2200 Series 19mm Rod
 HB 2220 19mm GBtB : Glass Back to Back Kit, HB 2200 Series 19mm Rod

Designed and manufactured in New Zealand. For more information, installation templates, and measured drawings of this product and others please visit : www.hallidaybaillie.com or contact your authorized Halliday + Baillie dealer. All information subject to change.