



**halliday  
baillie**

## HB 1040 FRAMELESS ROUND EXTRACT GRILL

Frameless Round Extract Grill, ceiling or side wall mounted. For bathrooms, showers, laundries and kitchens, with plaster board ceilings and walls.

A minimalist grill showing only a circular negative detail ideal for a robust, elegant solution to fan covers in wet areas. The framework is square stopped into the ceiling/wall and central plaque fixings are not seen.

Once the unit is plastered in place the flexible duct is pulled down through the hidden frame and attached to the spigot at the back of the central plaque.

The white powder coated surface of the plaque is level with the ceiling and can be lightly sanded and repainted to match the ceiling colour if required.

Dimensions : 270mm (inner frame)

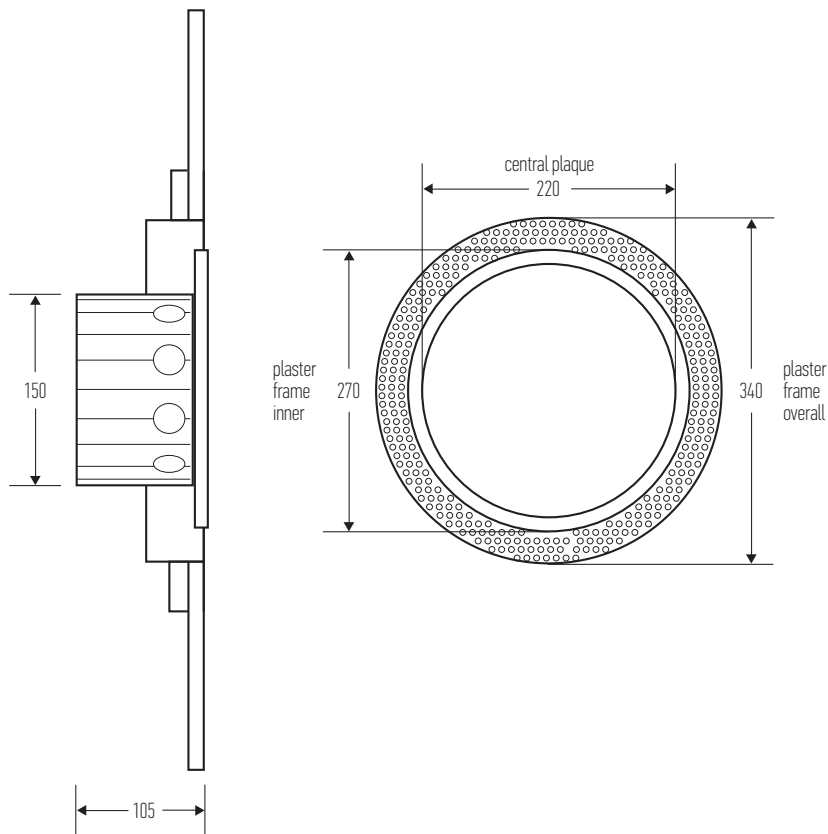
Plaque size : 220mm

Standard top exit spigot : 150mm

Powder coated steel body and plaque.

Body colour : satin black powder coat

Plaque colour : appliance white powder coat



Designed and manufactured in New Zealand. For more information, installation templates, and measured drawings of this product and others please visit : [www.hallidaybaillie.com](http://www.hallidaybaillie.com) or contact your authorized Halliday + Baillie dealer. All information subject to change.