

**halliday  
baillie**

## HB 2300 SERIES SQUARE D PULLS

HB 2335, HB 2340

The classic D Pull shape has long been a "go to" option with the design savvy. The HB 2300 Square D Pull puts a contemporary twist on this old favourite. Square D Pulls come in 2 lengths and 4 finishes and are milled from solid brass.

All of the finishes available in this series are unlacquered and will age gracefully overtime.

Pulls come with a variety of fixing sets, along with a matching HB 2360 Knob. As with our round bar pulls the square series is shipped with an additional solid brass rose. Installation of the rose is optional depending on your aesthetic but it is recommended for use on soft wood doors.

Center to center length : 300mm & 600mm

Projection: 51mm

Please note all finishes below are unlacquered:

AB : Aged Brass

SB : Satin Brass

PB : Polished Brass

KC : Black Chrome

HB 2335 : D Pull 300mm Long, 19x18mm

HB 2340 : D Pull 600mm Long, 19x18mm

HB 2360 : Knob, Single Side Knob for Square D Pull

HB 2330 19mm BtB : Back to Back Kit, HB 2300 Series 19mm

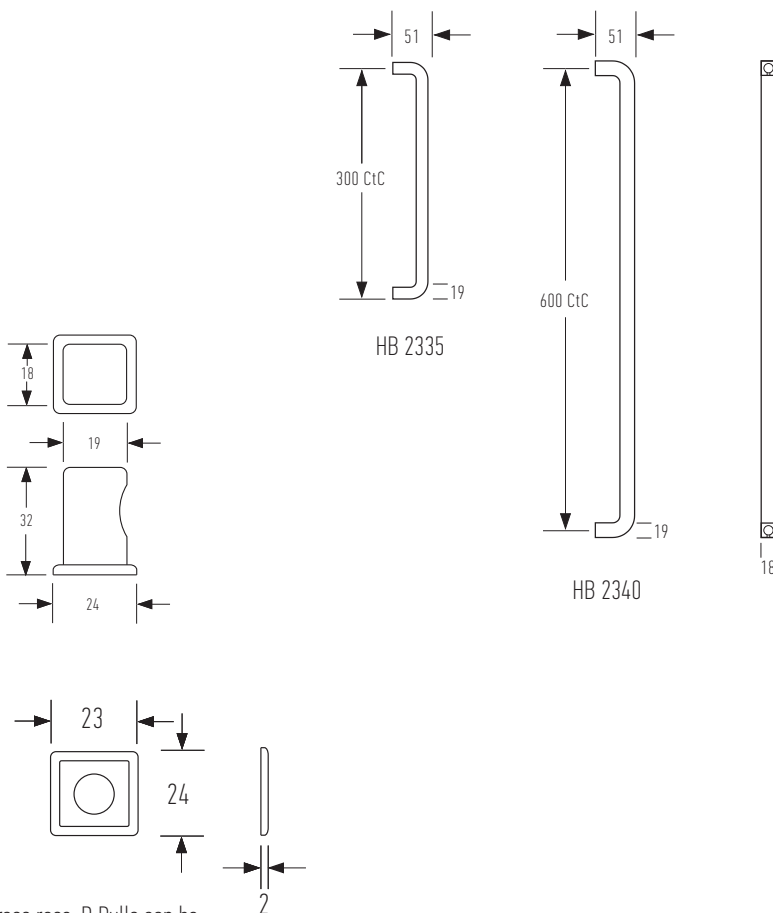
HB 2330 19mm Face : Face Fix Kit, HB 2300 Series 19mm

HB 2330 19mm Glass : Glass Fix Kit, HB 2300 Series 19mm

HB 2330 19mm GBtB : Glass Back to Back Fix Kit, HB 2300 Series 19mm

HB 2330 19mm TF : Through Fix Kit, HB 2300 Series 19mm

HB 2330 19mm GBtB : Glass Back to Back Kit, HB 2300 Series 19mm



Brass rose: D Pulls can be installed with or without brass rose.

Designed and manufactured in New Zealand. For more information, installation templates, and measured drawings of this product and others please visit : [www.hallidaybaillie.com](http://www.hallidaybaillie.com) or contact your authorized Halliday + Baillie dealer. All information subject to change.