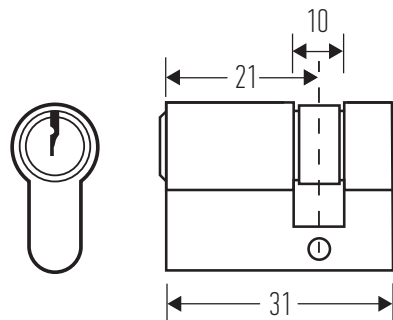
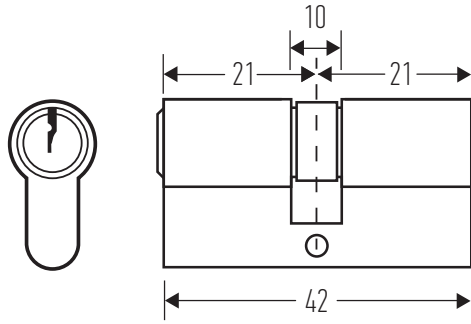
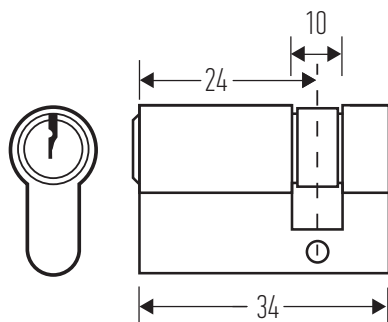
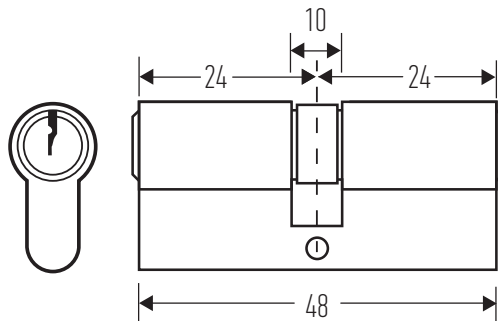


CLF 40XX CYLINDERS  
(42mm end to end and 21mm from center of cam to end)



CLF 48D & CLF 48S CYLINDERS  
(48mm end to end and 24mm from center of cam to end)



**halliday  
baillie**

## EURO CYLINDER

All of the Halliday + Baillie lock sets and stand alone mortice locks use standard Euro profile cylinders. While any Euro cylinder will work in these sets, we make two lengths in various finishes as both single and double cylinder variations specifically for use with sliding doors.

The shorter of the two – the CLF40XX versions – are ideal for 1 ½ " thick doors. The CLF48D and CLF48S cylinders are primarily for use with doors 1 ½ " – 1 ¾ " thickness. Other cylinder sizes may be available on request.

Double key cylinders are used with the following sliding door sets:

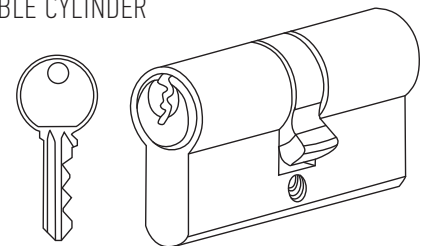
HB630  
HB638  
HB640

Single key cylinders are used with the following sliding door sets:

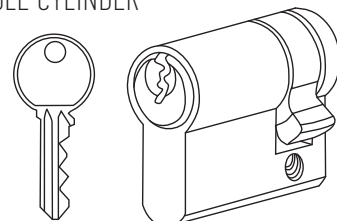
HB632  
HB633  
HB636  
HB637  
HB642  
HB643

Available in Satin Chrome, Bronze and Black. Brass available by custom order.

### DOUBLE CYLINDER



### SINGLE CYLINDER



Designed and manufactured in New Zealand. For more information, installation templates, and measured drawings of this product and others please visit : [www.hallidaybaillie.com](http://www.hallidaybaillie.com) or contact your authorized Halliday + Baillie dealer. All information subject to change.