



HB 547

SOLID BRASS STAIR RAIL BRACKET

The HB 547 is a stunning solid brass bracket that draws inspiration from the popular HB 590 bronze model. Its elegant design sets it apart and it will only become more beautiful with age, developing a graceful patina over time. The brackets are milled from solid unlacquered brass and available in four finishes as listed below.

The HB 547 bracket is specifically designed for cylindrical rails with a diameter of 40-50mm. It is suitable for both interior and exterior situations, making it versatile for various applications. (Please note exterior brackets will patina quickly). Additionally, this bracket can be used with square or rectangular profile timber balustrades if the top curved seat is routed into the wood.

Projection from wall (offstand) : 97mm
Overall height (upstand) : 65mm

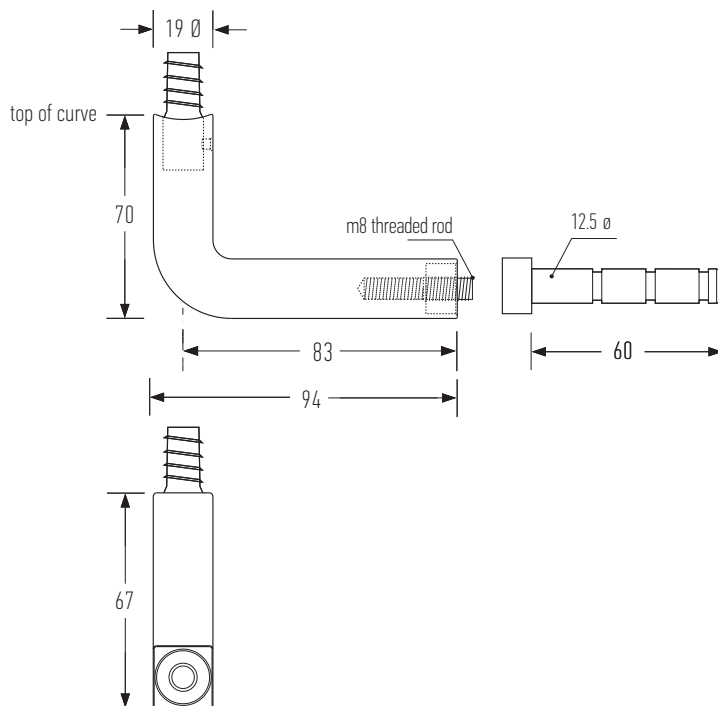
Includes all fasteners including anchor for concrete, masonry or wood framed plasterboard walls. Epoxy not included.
(please contact your local H + B dealer for further information).

Material : unlacquered solid brass
Recommended Spacing : 600-800mm

Please note : not suitable for glass fixing

Available in brass finishes only, as listed below.

PB : Polished Brass SB : Satin Brass
AB : Aged Brass KC : Black Chrome



Halliday + Baillie brackets are tested in accordance with both the AS/NZS 1170.1:2002 (Structural Design Actions) standards and the International Building Code, IBC (2003) to comply with the 200lb fall rating.

Designed and manufactured in New Zealand. For more information, installation templates, and measured drawings of this product and others please visit : www.hallidaybaillie.com or contact your authorized Halliday + Baillie dealer. All information subject to change.