



halliday baillie

HB 1820 FLUSH BOLT (ROUND THROW)

The HB 1820 has evolved to complement the range of Halliday + Baillie flush pulls. The bolts are milled from solid brass, and incorporate a tension adjusting mechanism in the back for smooth operation. The HB 1820 has a one meter extension kit available when the bolt is needed away from the top of the door, HB 1825. Also available is the HB 1810 which as a flat bar mechanism ideal for aluminum joinery.

Please check dimension drawing re suitability of the bolt throw offset with your track requirements.

Suitable for timber or aluminum doors. For timber doors the HB 1820 is often more suitable.

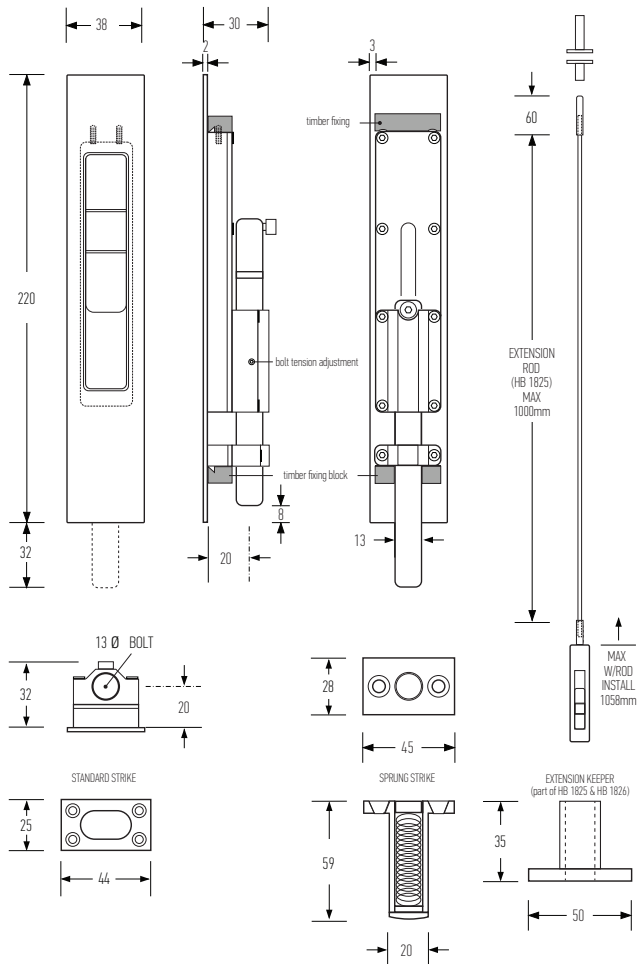
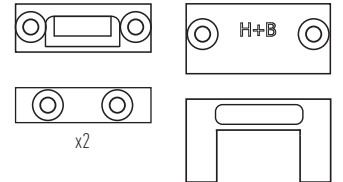
Minimum door thickness : 1.7" for timber doors, 1.4" for aluminum doors.

Material : Milled solid brass and stainless steel

Dimensions : 8.7" x 1 1/2" x 1.18"

Available in all standard Halliday + Baillie finishes. See finishes sheet for further details.

HB 1850 : Timber Fixing Kit
Three mounting blocks provided for various fixing details.
Please contact your local Halliday + Baillie dealer for further information.



Designed and manufactured in New Zealand. For more information on this product and others please visit www.hallidaybaillie.com. For dealers in North America, contact Bridgeport Worldwide +1-800-362-1484 www.BridgeportWorldwide.com/hallidaybaillie. All information subject to change.