



**halliday  
baillie**

## HB 1650 D SERIES

### OFFSET GRIP DOOR SERIES – 2.17" BACKSET

The HB1650 D Offset Pull Door Set is a mid-sized series for use on swing doors including hinge, pivot, and bi-fold sets where scale is required or the doors are heavy. The matching sliding/pocketing door set is the HB 1650.

Sets utilize the longer HB 677 flush pulls which offer a deeper internal finger area and an offset grip to one side resulting in left and right-handed options. Please indicate whether a left or right-handed snib flush pull is required for order.

Flush Pull Material : Diecast Zinc and Brass

Lock Body Material : Diecast Zinc, Brass, 316 Stainless Steel

Backset : 2.17"

Minimum door thickness : 1.77"

Flush pulls : 9.84" x 1.81" x 0.67"

Internal grip depth : 0.59"

Suitable for timber or large profile aluminium doors.

Standard HB 1650 D set includes :

- HB 690 D Series Dead Bolt Lock Body
- Two HB 677 Flush Pulls
- HB 604 Timber Fixing Kits (one set for HB 1657)
- Strike and Dust Box
- Two spindle lengths (please specify door thickness for doors over 2.36")
- Fasteners

Configurations :

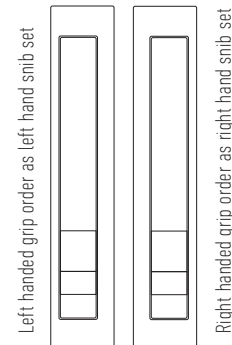
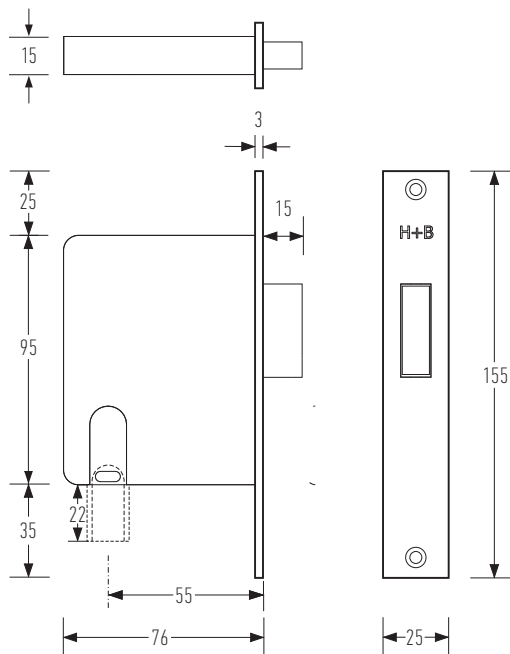
HB 1655 : Privacy Set, Snib Inside, ER Indicator Outside

HB 1656 : Snib Inside, Blank Outside

HB 1657 : Snib Inside, No Pull Outside

HB 1658 : Snib Both Sides (passage latch)

Available in all standard Halliday + Baillie finishes, see finishes sheet for further details.



To be used with HB604 Timber Fixing Kit on timber doors



dustbox and strike plate

Please note the handing of the snib flush pull denotes the handing of the set.

Designed and manufactured in New Zealand. For more information on this product and others please visit [www.hallidaybaillie.com](http://www.hallidaybaillie.com). For dealers in North America, contact Bridgeport Worldwide +1-800-362-1484 [www.BridgeportWorldwide.com/hallidaybaillie](http://www.BridgeportWorldwide.com/hallidaybaillie). All information subject to change.