



**halliday
baillie**

HB 2200 SERIES D PULLS

HB 2235, HB 2240, HB 2250, HB 2260

A perennial favourite the HB 2200 Series solid brass unlacquered D Pulls are an elegant solution for all door types. Milled in solid brass, D Pulls come in 3 lengths and 4 finishes (aged brass, polished brass, satin brass, and black chrome). Please note that these are living finishes, they are not lacquered and will age gracefully over time. Pulls come with a variety of fixing sets, as listed below, along with a matching HB 2260 Knob, as an option for single sided fixing particularly on frameless glass doors.

All D Pull Fix Kits are shipped with solid brass roses. Installation of the rose is optional depending on aesthetic, but it is strongly recommended that they are used on soft wood doors such as cedar and pine.

Please note all finishes below are unlacquered:

AB : Aged Brass

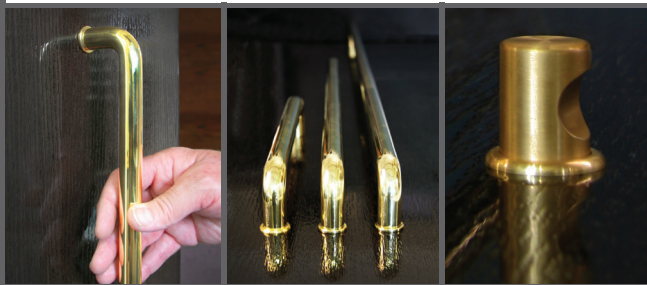
SB : Satin Brass

PB : Polished Brass

KC : Black Chrome

Center to Center length : 11.8", 23.6" & 47.2"

Projection : 2" (without rose)



HB 2235 : D Pull 300mm Long, 19mm Rod

HB 2240 : D Pull 600mm Long, 19mm Rod

HB 2250 : D Pull 1200mm Long, 19mm Rod

HB 2260 : Knob, Single Side Knob for 19mm Rod

For offset versions please see offset HB 2200 series D Pulls

HB 2220 19mm BtB : Back to Back Fix Kit, HB 2200 Series 19mm Rod

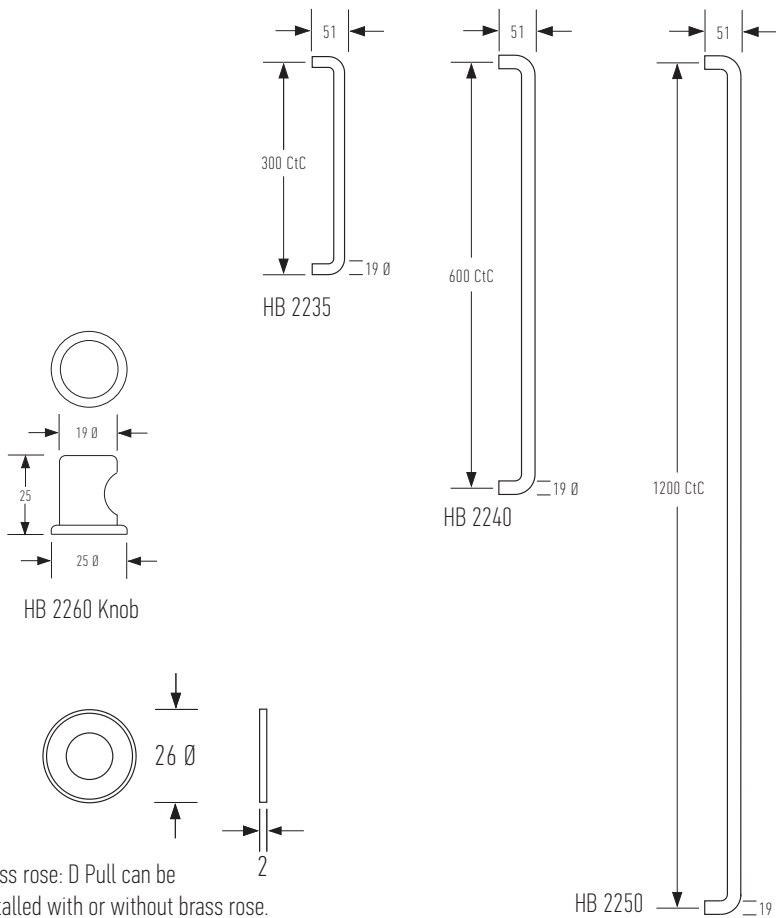
HB 2220 19mm Face : Face Fix Kit, HB 2200 Series 19mm Rod

HB 2220 19mm Glass : Glass Fix Kit, HB 2200 Series 19mm Rod

HB 2220 19mm GBtB : Glass Back to Back Fix Kit, HB2200 Series 19mm Rod

HB 2220 19mm TF : Through Fix Kit, HB2200 Series 19mm Rod

HB 2220 19mm GBtB : Glass Back to Back Fix Kit, HB 2200 Series 19mm Rod



Brass rose: D Pull can be installed with or without brass rose.

Designed and manufactured in New Zealand. For more information on this product and others please visit www.hallidaybaillie.com. For dealers in North America, contact Bridgeport Worldwide +1-800-362-1484 www.BridgeportWorldwide.com/hallidaybaillie. All information subject to change.