



HB 525

STAIR RAIL BRACKETS WITH WIRING CAPABILITY

The Halliday + Baillie HB 525 has been developed from the HB 520 Bracket. The HB 525 incorporates a channel in both the body and upstand allowing for wiring to connect to LED lighting strips.

The HB 525 - HB 528 brackets come in both wiring capable and 'blank' versions and are still suitable for use with 1.18" to 1.96" diameter rails.

Projection from wall (offstand) : 3.93"
Overall height (upstand) : 2.95"

Includes all fasteners. Epoxy required for installation, not included (please contact your local H+B dealer for further information).

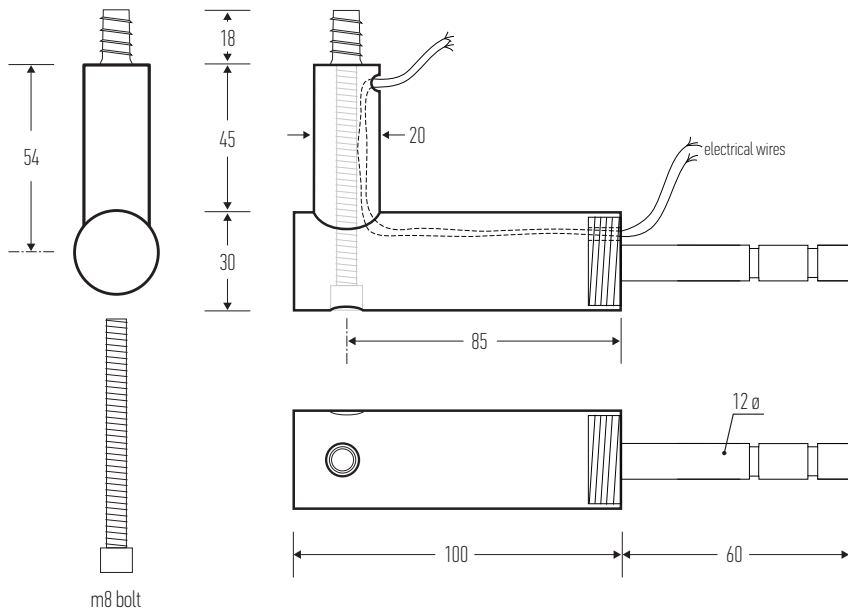
Material : non-anodized aluminum alloy
Recommended Spacing : 23-32"

Available in all standard finishes except "BN" Brushed Nickel. See finishes sheet for further details.

Glass fixing kits not available for styles HB 525, HB 526, HB 527 and HB 528.

HB 527

HB 525



Halliday + Baillie brackets are tested in accordance with both the AS/NZS 1170.1:2002 (Structural Design Actions) standards and the International Building Code, IBC (2003) to comply with the 200lb fall rating.

Designed and manufactured in New Zealand. For more information on this product and others please visit www.hallidaybaillie.com. For dealers in North America, contact Bridgeport Worldwide +1-800-362-1484 www.BridgeportWorldwide.com/hallidaybaillie. All information subject to change.

