

HB 650 FLUSH PULL 4.09"

Halliday + Baillie HB 650 Flush Pull is the diminutive version of the classic HB660. The HB650 has been created specifically for small sliding windows and built in joinery where a consistent theme is required with the HB660 series.

Use this pull with the HB680 Edge Pull for pocket doors for a modest passage set or for smaller doors and furniture to provide a consistent appearance across door types in a project where other Halliday + Baillie Flush Pulls are specified.

Each HB 650 Flush Pull is shipped with one set of the HB 604 Timber Fixing kits.

Material : Diecast Zinc and Brass

Dimensions : 4.09" x 1.42" x 0.51"

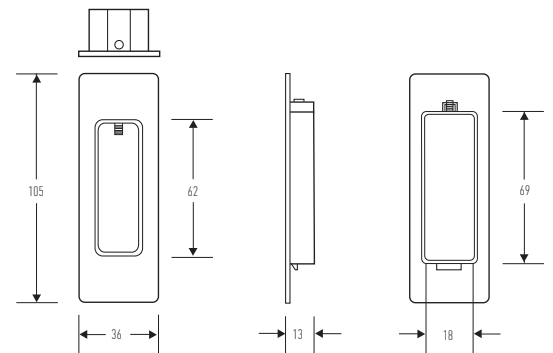
Internal grip depth : 0.43"

Suitable for timber or aluminum doors.

Available in all standard Halliday + Baillie finishes. Please check with your H+B representative as not all finishes are available in all regions. See finishes sheet for further details.



To be used with the HB 604 Timber Fixing Kit on timber doors



Designed and manufactured in New Zealand. For more information, installation templates, and measured drawings of this product and others please visit : www.hallidaybaillie.com or contact your authorized Halliday + Baillie dealer. All information subject to change