



halliday baillie

HB 860 BRASS SOFT EDGE FLUSH PULL 6.69"

The Halliday + Baillie HB 860 Soft Edge Flush Pull is the first in a new series designed for projects searching for a traditional look with a twist. All of the Soft Edge Series are milled from solid brass, and come in matching finishes to our Brass D Pull range. The back plate is screwed on allowing for some finish customisation by the customer to match their specific project aesthetics.

To ensure a seamless look throughout a project, matching flush pulls in Snib and Emergency Egress flush pulls are available for use with our HB 690 lock bodies for specification on privacy pocket doors.

If using back to back together with the HB 680, a minimum door thickness of 1.42" is required.

Use with the HB 604 Timber Fixing hardware.

Material : Solid Brass, Stainless Steel screws
 Dimensions : 6.69" x 1.65" x 0.50"
 Internal grip depth : 0.43"

Suitable for timber or aluminum doors.

Please note all finishes below are unlacquered:

AB : Aged Brass

SB : Satin Brass

PB : Polished Brass

KC : Black Chrome

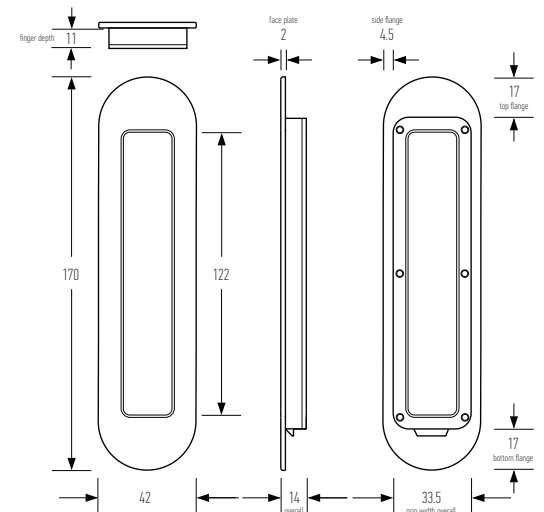


Standard
Flush Pull

"Snib"
Flush Pull



To be used with the HB 604 Timber Fixing Kit on timber doors



Designed and manufactured in New Zealand. For more information on this product and others please visit www.hallidaybaillie.com. For dealers in North America, contact Bridgeport Worldwide +1-800-362-1484 www.BridgeportWorldwide.com/hallidaybaillie. All information subject to change.