

**halliday
baillie**

HB 720

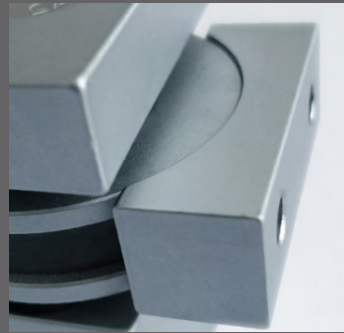
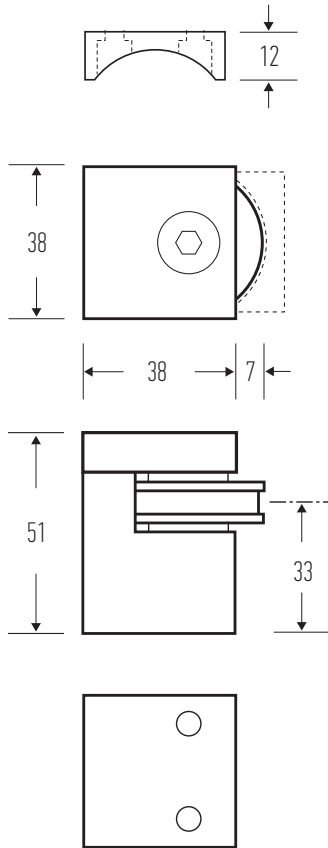
MAGNETIC DOOR STOP

The Halliday + Baillie floor-mounted HB 720 Cube Door Stop provides an iconic solution for when a mechanical hold open function is required. The door-mounted steel Keeper is finished to match and nests perfectly into the magnet providing a strong force—perfect for large doors.

Suitable for interior or covered exterior use. Includes steel keeper, and all fasteners.

Material : Aluminum-alloy, stainless steel fasteners, steel keeper and magnets.

Dimensions : 1½" x 1½" x 2" H (base only excluding magnet)
Base to center of magnet : 1.3"



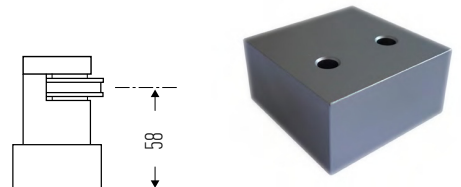
HB 765 (order separately)

SOLID ELEVATING BASE

Dimensions : 2" x 2" x 1" H

Centerline of magnet with base : 2.3"

Available in all standard Halliday + Baillie finishes. See finishes sheet for further details.



Designed and manufactured in New Zealand. For more information on this product and others please visit www.hallidaybaillie.com. For dealers in North America, contact Bridgeport Worldwide +1-800-362-1484 www.BridgeportWorldwide.com/hallidaybaillie. All information subject to change.