

# halliday baillie

## HB 1480 SERIES

### OFFSET GRIP DOOR SERIES – 2.17" BACKSET

The HB1480 Offset Pull Door series has been developed primarily for use on large doors where scale is required, or the doors are particularly heavy. These sets can function on oversized sliding doors for extra purchase, or on bifold doors.

Sets utilize the longer HB 1475 flush pulls which offer a deeper internal finger area and an offset grip to one side resulting in left and right-handed options. Please indicate whether a left or right-handed snib flush pull is required for order.

Flush Pull Material : Milled Solid Brass

Lock Body Material : Diecast Zinc, Brass, 316 Stainless Steel

Backset : 2.17"

Minimum door thickness : 1.77"

Flush pulls : 12.20" x 1.97" x 0.67"

Internal grip depth : 0.63"

Suitable for timber or large profile aluminium doors.

Standard HB 1480 set includes :

- HB 690 Series Lock Body
- Two HB 1475 Flush Pulls
- HB 1410 Fixing Kits (one set for HB 1483)
- Strike and Dust Box
- Two spindle lengths (please specify door thickness for doors over 2.36")
- Fasteners

Configurations :

HB 1480 : Privacy Set, Snib Inside, ER Indicator Outside

HB 1482 : Snib Inside, Blank Outside

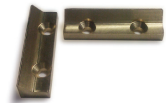
HB 1483 : Snib Inside, No Pull Outside

HB 1484 : Snib Both Sides (passage latch)

Available in all standard Halliday + Baillie finishes, see finishes sheet for further details.



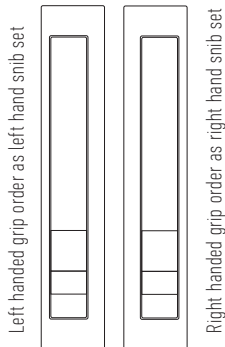
dustbox and strike plate



To be used with HB1410  
Timber Fixing Kit on timber doors



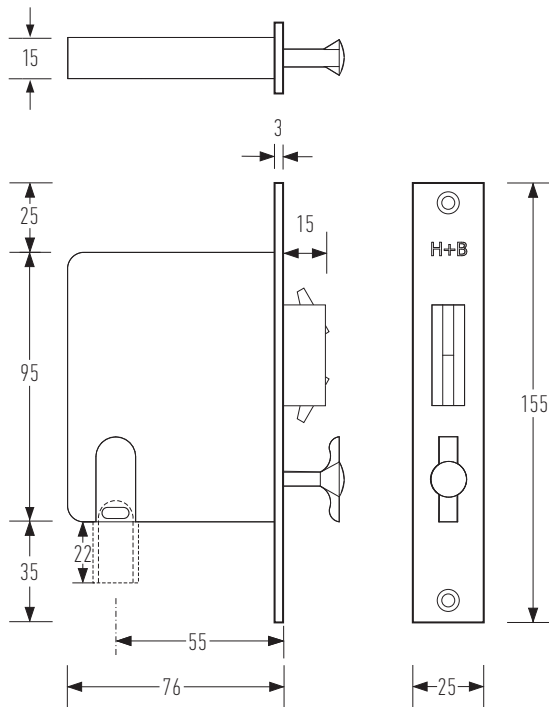
Snib/Indicator HB 1480 LH configuration  
Snib/Blank HB 1482 LH configuration  
Snib/No Pull Outside HB 1483 LH configuration  
Snib/Snib HB 1484 configuration



Please note the snib flush pull denotes the handing of the set.



Shown with Left Hand Snib Flush Pull



Designed and manufactured in New Zealand. For more information on this product and others please visit [www.hallidaybaillie.com](http://www.hallidaybaillie.com). For dealers in North America, contact Bridgeport Worldwide +1-800-362-1484 [www.BridgeportWorldwide.com/hallidaybaillie](http://www.BridgeportWorldwide.com/hallidaybaillie). All information subject to change.