

halliday baillie

HB 1490 SERIES - 12.20" FLUSH PULLS SLIDING GRIP DOOR SERIES - 2.17" BACKSET

The HB1490 Series has been designed for large pocket doors where function and scale are required.

Sets utilize the longer HB 1470 flush pulls milled from solid brass. These offer a longer and wider face, and deeper internal finger area ideal for heavy oversized sliding doors.

Flush Pull Material : Milled Solid Brass

Lock Body Material : Diecast Zinc, Brass, 316 Stainless Steel

Backset : 2.17"

Minimum door thickness : 1.77"

Flush pulls : 12.20" x 1.97" x 0.67"

Internal grip depth : 0.59"

Suitable for timber or large profile aluminium doors.

Standard HB 1490 set includes :

- HB 690 Series Lock Body
- Two HB 1470 Flush Pulls
- HB 1410 Fixing Kits (one set for HB 1493)
- Strike and Dust Box
- Two spindle lengths (please specify door thickness for doors over 2.36")
- Fasteners

Configurations :

HB 1490 : Privacy Set, Snib Inside, ER Indicator Outside

HB 1492 : Snib Inside, Blank Outside

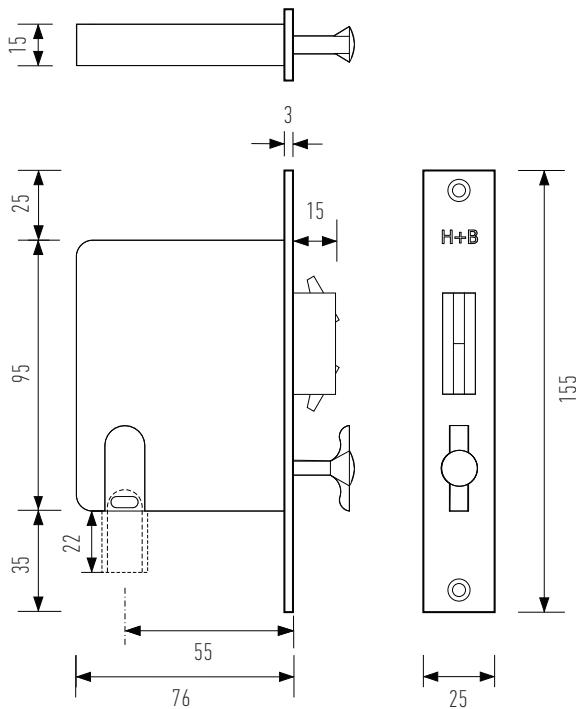
HB 1493 : Snib Inside, No Pull Outside

HB 1494 : Snib Both Sides (passage latch)

Available in all standard Halliday + Baillie finishes, see finishes sheet for further details.



Lock body:



To be used with HB1410
Timber Fixing Kit on timber doors



Snib/Indicator
HB 1490 configuration

Snib/Blank
HB 1492 configuration

Snib/No Pull Outside
HB 1493 configuration

Snib/Snib
HB 1494 configuration

Designed and manufactured in New Zealand. For more information on this product and others please visit www.hallidaybaillie.com. For dealers in North America, contact Bridgeport Worldwide +1-800-362-1484 www.BridgeportWorldwide.com/hallidaybaillie. All information subject to change.