

## halliday baillie

### HB 2300 SERIES SQUARE D PULLS

HB 2330, HB 2340, HB 2360

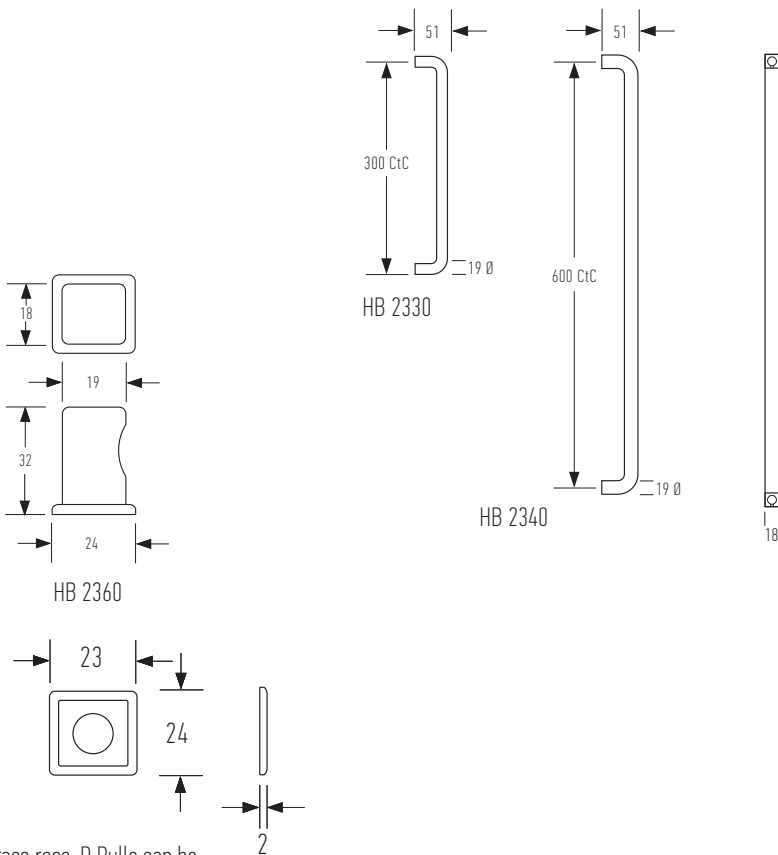
The classic D Pull shape has long been a "go to" option with the design savvy. The HB 2300 Square D Pull puts a contemporary twist on this old favourite. Square D Pulls come in 2 lengths and 4 finishes and are milled from solid brass.

All of the finishes available in this series are unlacquered and will age gracefully over time.

D Pulls come with a variety of fixing options. A matching HB 2360 Knob is provided with the single side fixing. As with our round bar pulls the HB 2300 series Fix Kits include square solid brass roses, installation of the roses is optional depending on project aesthetic but it is recommended for soft wood doors.

Center to center length : 11.8" & 23.6"  
Projection: 2"

Please note all finishes below are unlacquered:  
AB : Aged Brass                      SB : Satin Brass  
PB : Polished Brass                KC : Black Chrome



Brass rose: D Pulls can be installed with or without brass rose.

HB 2330 : D Pull 300mm Long, 19x18mm  
HB 2340 : D Pull 600mm Long, 19x18mm  
HB 2360 : Knob, Single Side Knob for Square D Pull

HB 2330 19mm BtB : Back to Back Fix Kit, HB 2300 Series 19mm  
HB 2330 19mm Face : Face Fix Kit, HB 2300 Series 19mm  
HB 2330 19mm Glass : Glass Fix Kit, HB 2300 Series 19mm  
HB 2330 19mm GBtB : Glass Back to Back Fix Kit, HB 2300 Series 19mm  
HB 2330 19mm TF : Through Fix Kit, HB 2300 Series 19mm

Designed and manufactured in New Zealand. For more information on this product and others please visit [www.hallidaybaillie.com](http://www.hallidaybaillie.com). For dealers in North America, contact Bridgeport Worldwide +1-800-362-1484 [www.BridgeportWorldwide.com/hallidaybaillie](http://www.BridgeportWorldwide.com/hallidaybaillie). All information subject to change.