



**halliday
baillie**

HB 540 STAIR RAIL BRACKET

The Halliday + Baillie HB 540 Rail Bracket is designed for round 1.18-1.96" diameter or rectangular wood rails where a square aesthetic is required.

This bracket is only suitable for interior or covered exterior situations. There is currently no stainless steel alternative for this model.

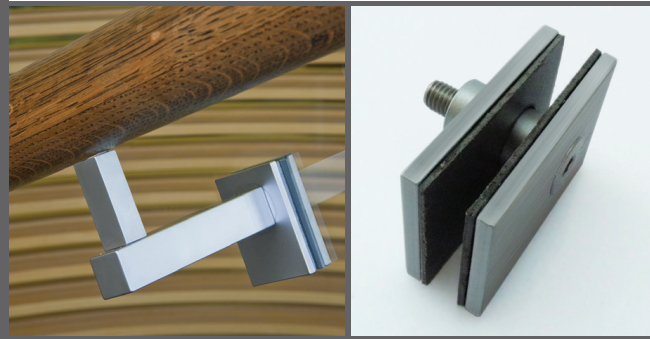
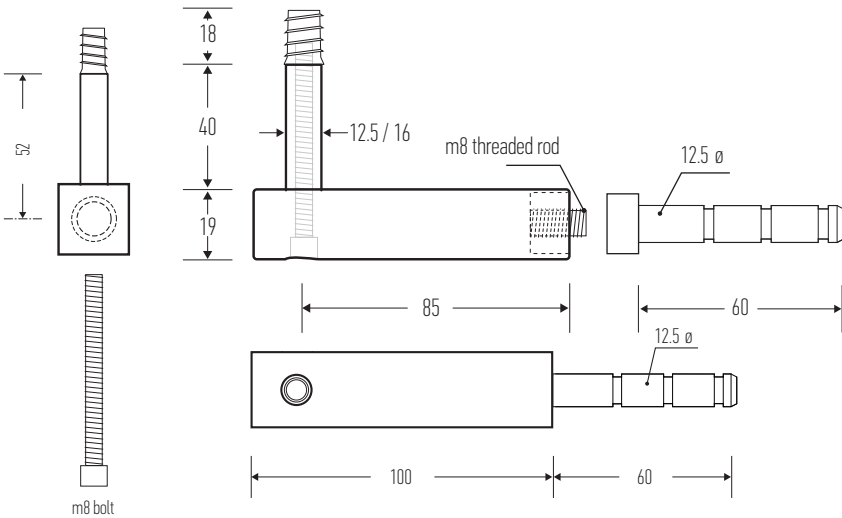
Projection from wall (offstand) : 3.93"
Overall height (upstand) : 2.36"

Includes all fasteners. Epoxy required for installation, not included (please contact your local H+B dealer for further information).

Material : non-anodized aluminium alloy

Recommended Spacing : 23"-32"

Available in all standard finishes except "BN" Brushed Nickel. See finishes sheet for further details.

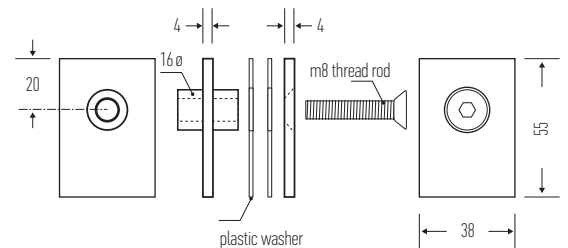


HB 542 GLASS FIXING KIT FOR HB 540 BRACKET

Suitable for 0.39-0.59" glass thickness.

Finishes to match the HB540 Bracket.

Glass fixing kits sold separately (used in conjunction with the bracket, and not as a replacement).



Halliday + Baillie brackets are tested in accordance with both the AS/NZS 1170.1:2002 (Structural Design Actions) standards and the International Building Code, IBC (2003) to comply with the 200lb fall rating.

Designed and manufactured in New Zealand. For more information on this product and others please visit www.hallidaybaillie.com. For dealers in North America, contact Bridgeport Worldwide +1-800-362-1484 www.BridgeportWorldwide.com/hallidaybaillie. All information subject to change.