



**halliday  
baillie**

## HB 580

### KNURLED SOLID BRONZE D STAIR RAIL BRACKET

The HB 580 Knurled Stair Rail Bracket is a new classic, milled from solid unlacquered bronze and designed to age gracefully. Each end has the additional detail of custom lathe knurling.

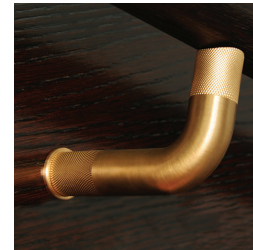
Brackets are designed for a 1.18-1.96" diameter rail. Please note while the HB 580 comes complete with a solid bronze rose, installation of the rose is optional depending on your aesthetic. Please see images below showing both installation options.

Projection from wall (offstand) : 3.93"  
Overall height (upstand) : 2.76"

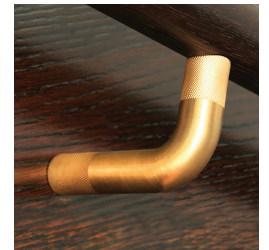
Includes all fasteners including anchor for concrete, masonry or wood framed plasterboard walls. Epoxy not included.  
(please contact your local H + B dealer for further information).

Material : LG2 (leaded gunmetal) Bronze  
Recommended Spacing : 23-32"

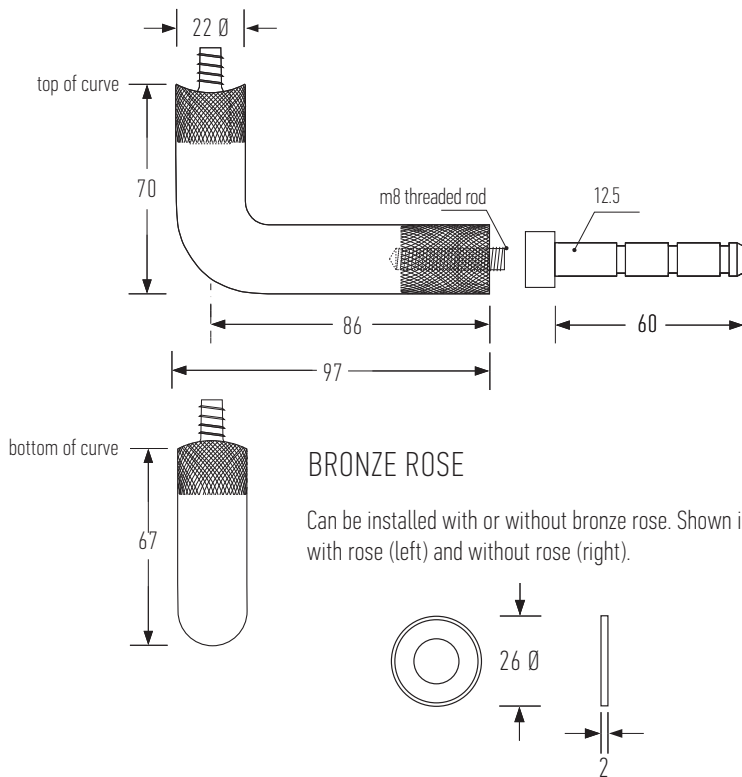
Available in raw bronze only. For other finish options please see the HB 595. Please contact your Halliday + Baillie representative for the matching solid bronze Glass Fixing Kits, which can be made to order.



With rose



Without rose



Halliday + Baillie brackets are tested in accordance with both the AS/NZS 1170.1:2002 (Structural Design Actions) standards and the International Building Code, IBC (2003) to comply with the 200lb fall rating.

Designed and manufactured in New Zealand. For more information, installation templates, and measured drawings of this product and others please visit : [www.hallidaybaillie.com](http://www.hallidaybaillie.com) or contact your authorized Halliday + Baillie dealer. All information subject to change.

© 2023 v2 Halliday + Baillie Ltd.

## HB 592

### GLASS FIXING KIT FOR HB 580/590 BRACKET

Suitable for 0.39-0.47" glass thickness

Please check with your local Halliday + Baillie representative as not all finishes are available in all regions

Available in the following finish :  
RB : Raw Bronze

