



**halliday  
baillie**

## HB 630 SERIES

### SLIDING DOOR ENTRY LOCK SET – 2.17" BACKSET

The Halliday + Baillie HB 630 sliding door lock set series allows several lock functions for sliding doors requiring keyed security. This series uses a "snib" (a slide block that acts like a traditional thumb turn) to throw the bolt.

Sliding the snib operates the bolt unless the cylinder is engaged. The key cylinder will lock the snib in place and does not activate the bolt. Please note that Euro Profile Cylinders are used with these sets and are sold separately. Various flush pull configurations are available as below.

Flush Pull Material : Diecast Zinc and Brass

Lock Body Material : Diecast Zinc, Brass, 316 Stainless Steel

Backset : 2.17"

Minimum door thickness : 1.5"

Flush pulls : 9.84" x 1.42" x 0.51"

Internal grip depth : 0.43"

Suitable for timber or wide profile aluminium doors

Standard HB 630 set includes :

- HB 630 Series Lock Body
- Two HB668 Flush Pulls
- HB 604 Fixing Kits (one set for HB 633)
- Strike and Dust Box
- Two spindle lengths (please specify door thickness for doors over 1.97")
- Fasteners
- Cylinder ordered separately for door thickness



dustbox and strike plate



To be used with the HB 604 Timber fixing Kit on timber doors



HB CLF 48 3-Pin DBL Cylinder (sold separately)

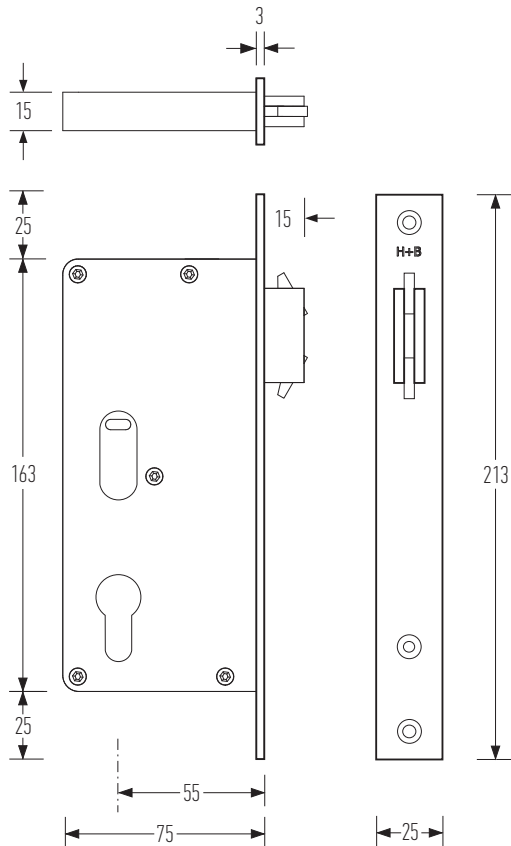
Configurations :

HB 630 : Key/Snib Both Sides

HB 632 : Key/Snib In, Blank Out

HB 633 : Key/Snib In, No Pull Out

Available in all standard Halliday + Baillie finishes, see finishes sheet for further details.



Designed and manufactured in New Zealand. For more information on this product and others please visit [www.hallidaybaillie.com](http://www.hallidaybaillie.com). For dealers in North America, contact Bridgeport Worldwide +1-800-362-1484 [www.BridgeportWorldwide.com/hallidaybaillie](http://www.BridgeportWorldwide.com/hallidaybaillie). All information subject to change.

© 2023 v1 Halliday + Baillie Ltd.



Snib/Key  
HB 630 configuration shown

Snib/Key  
HB 632 configuration shown

Snib/Key  
HB 633 configuration shown

Blank

Snib/Key  
HB 633 configuration shown