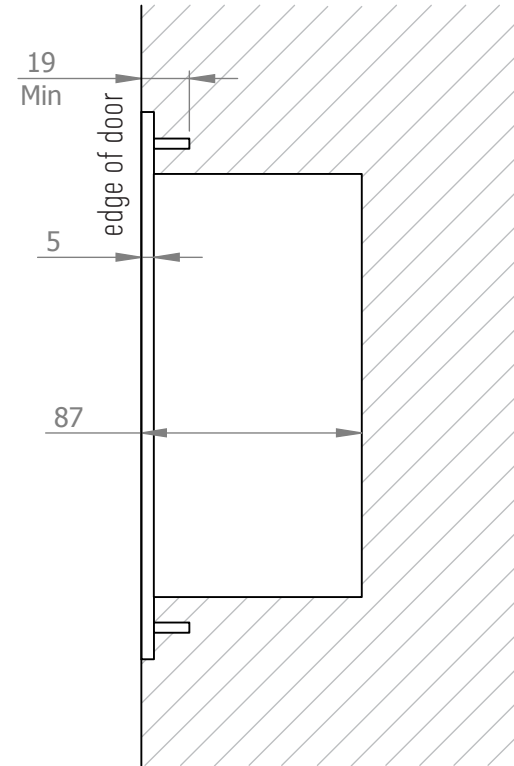
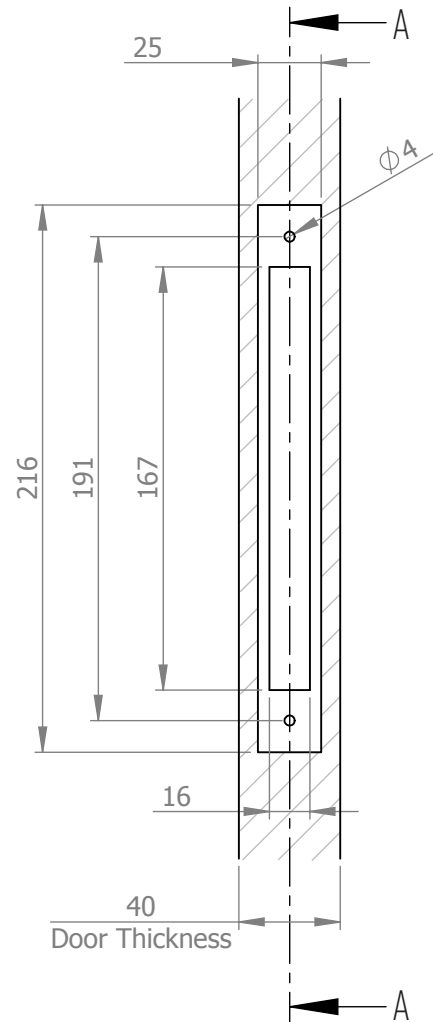
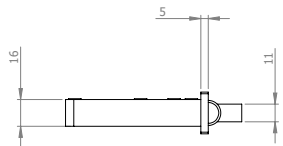
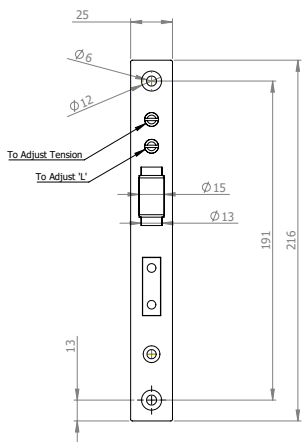
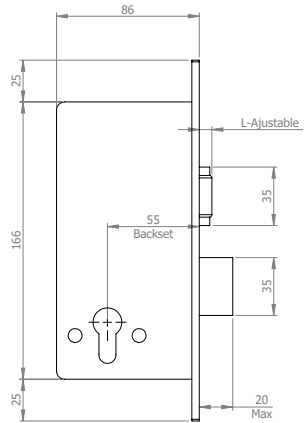
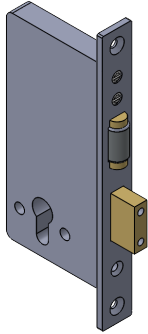


Milling Drawing for timber doors



HB 2050 - Lock Body
Milling Information for HB 2050

Drawings not to scale, all dimensions in mm.

Designed and manufactured in New Zealand. For more information, installation templates, and measured drawings of this product and others please visit : www.hallidaybaillie.com or contact your authorized Halliday + Baillie dealer. All information subject to change.