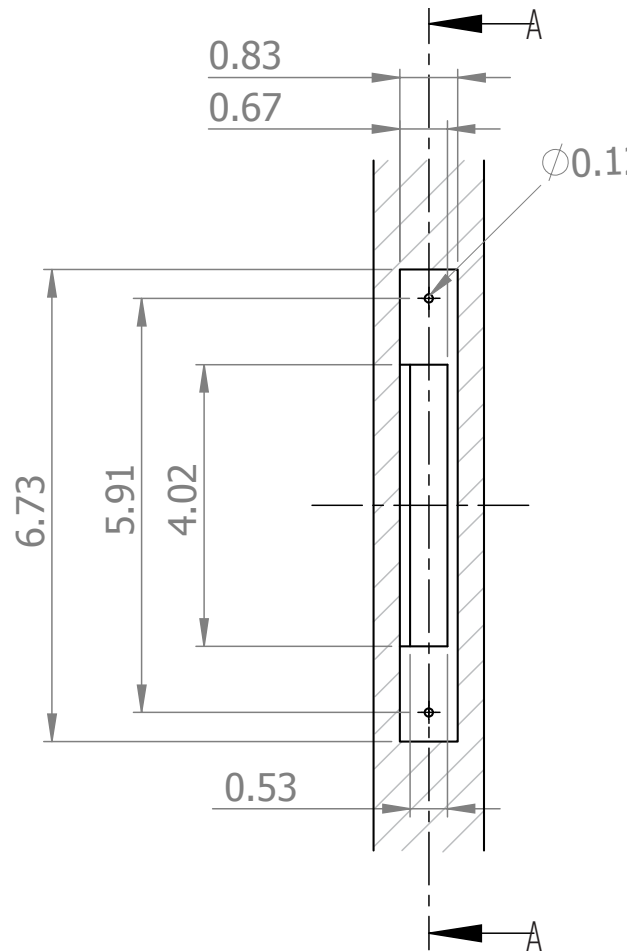


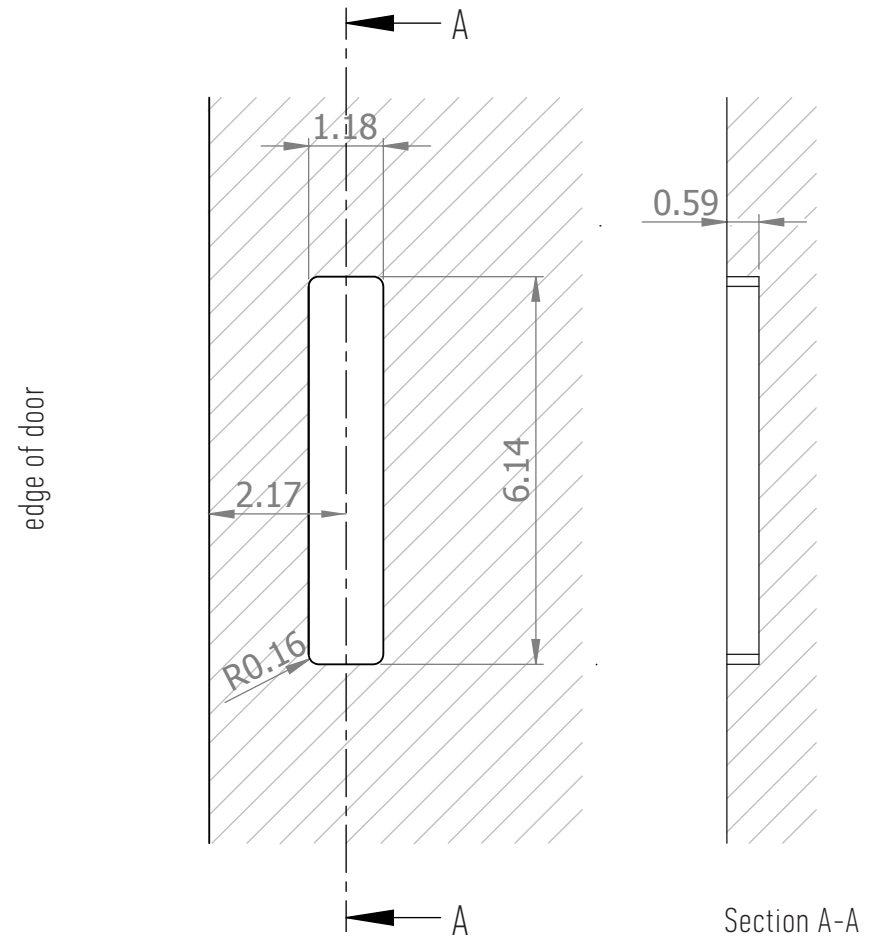
**halliday
baillie**



Milling Drawing for timber doors



Milling Drawing for timber doors with fixing kits



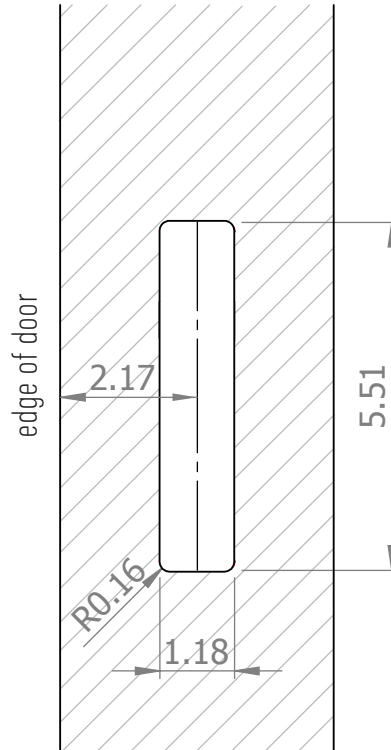
HB 620 - 170mm Passage Set
Milling Information for HB 660 & HB 680

Drawings not to scale, all dimensions in inches.

Designed and manufactured in New Zealand. For more information, installation templates, and measured drawings of this product and others please visit : www.hallidaybaillie.com or contact your authorized Halliday + Baillie dealer. All information subject to change.

halliday
baillie

Milling Drawing for aluminium doors



HB 620 - 170mm Passage Set
Milling Information for HB 660 & HB 680

Drawings not to scale, all dimensions in inches.

Designed and manufactured in New Zealand. For more information, installation templates, and measured drawings of this product and others please visit : www.hallidaybaillie.com or contact your authorized Halliday + Baillie dealer. All information subject to change.