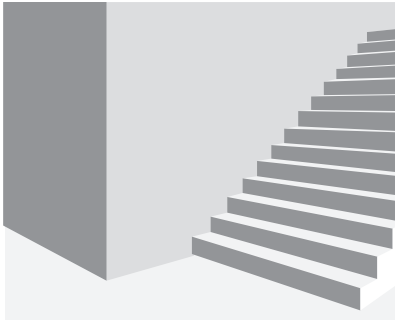
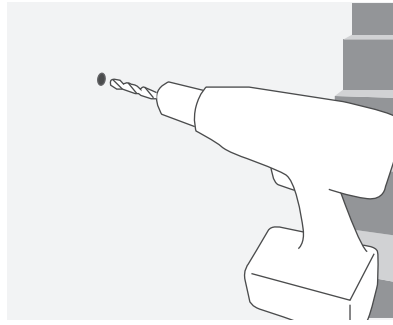


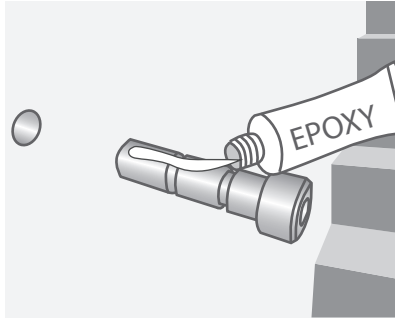
Step 1



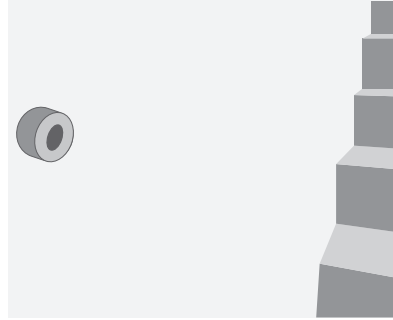
Step 2



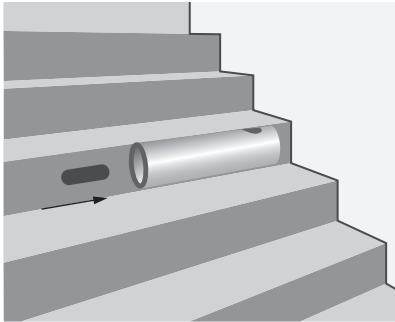
Step 3



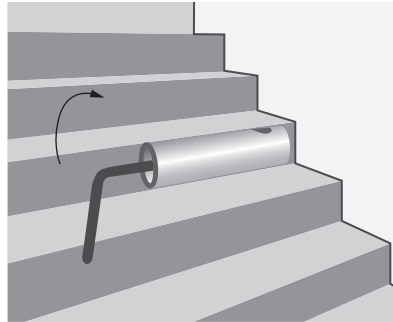
Step 4



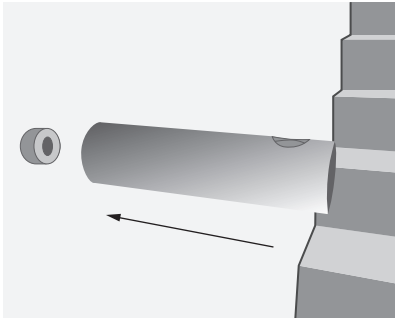
Step 5



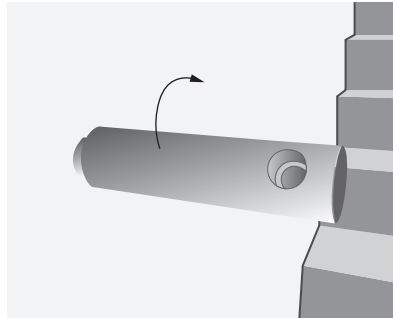
Step 6



Step 7



Step 8



**halliday
baillie**

STAIR RAIL INSTALLATION GUIDE

HB 520, HB 527, HB 528, 530, 540, 560 & 570

Step 1

Please ensure that your stairway has been prepared so that brackets can be installed into a solid substrate such as a stud, nog, masonry block or other solid packing within the wall.

Step 2

Drill 12mm diameter hole

Step 3

Epoxy bond anchor in place (epoxy Sika products or Gorilla Grip to be provided by the client).

NOTE: We recommend having the bracket attached to the anchor for placement so the correct angle is achieved ready for the rail.

Step 4

Let epoxy set

Step 5

Insert bolt connection rod to bracket offstand

Step 6

Screw the insert into the bracket offstand with M4 Hex wrench

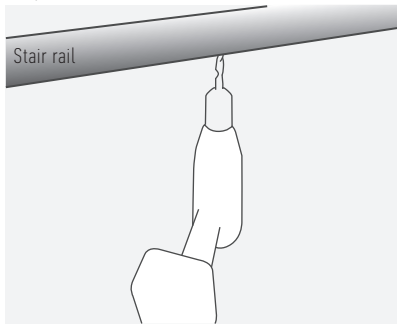
Step 7

Place bolt connection into wall anchor

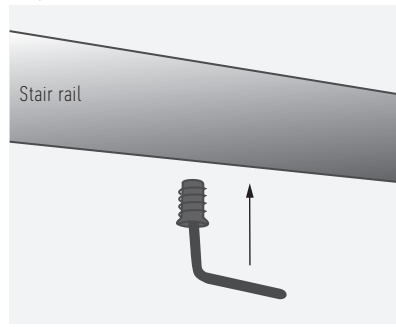
Step 8

Wind the barrel onto the anchor

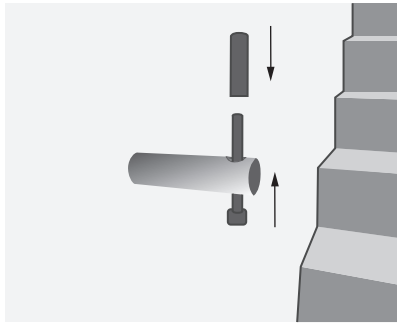
Step 9



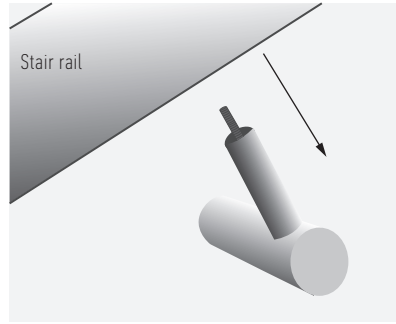
Step 10



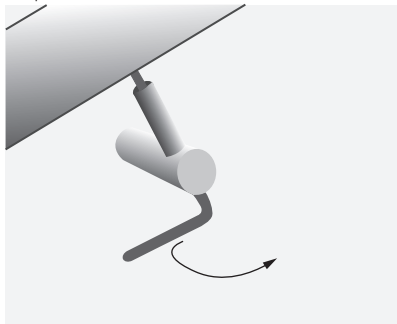
Step 11



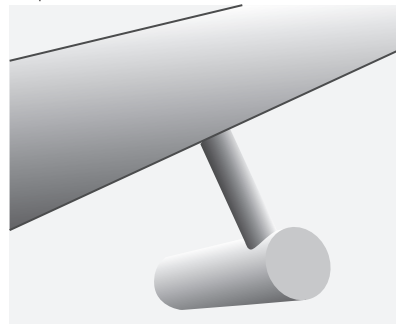
Step 12



Step 13



Step 14



**halliday
baillie**

STAIR RAIL INSTALLATION GUIDE

HB 520, HB 527, HB 528, 530, 540, 560 & 570

Step 9

Drill a hole to suit M8 screw-in sleeve in the underside of the stair rail

Step 10

Screw the wood insert into the stair rail with a M8 hex wrench

Step 11

Assemble remaining stair rail bracket components while bracket is attached to wall

Step 12

Lower stair rail onto brackets making sure that long up stand bolt goes through bracket and into the screw in sleeve

Step 13

Screw up stand bolt into the stair rail with M6 hex wrench

If in doubt please contact your local H+B dealer.