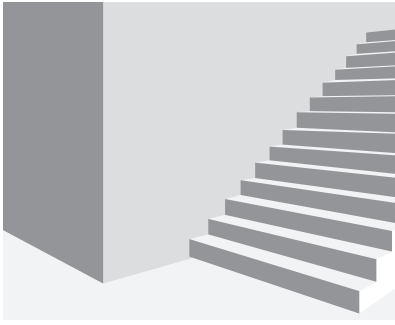
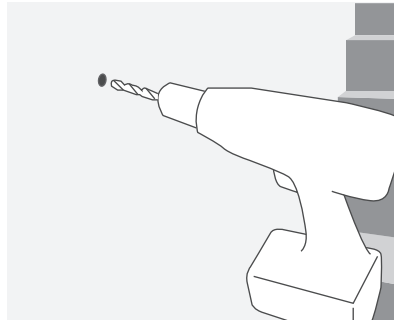


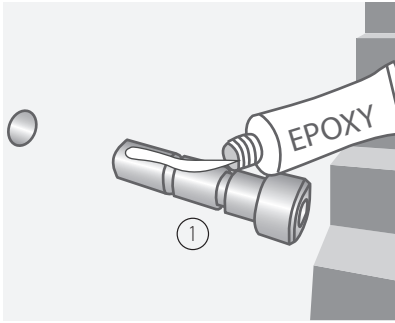
Step 1



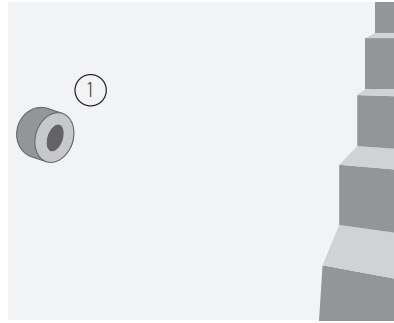
Step 2



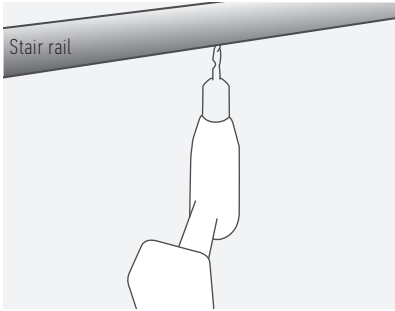
Step 3



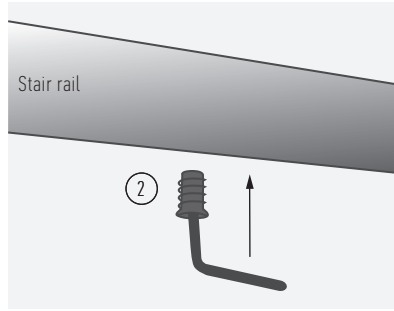
Step 4



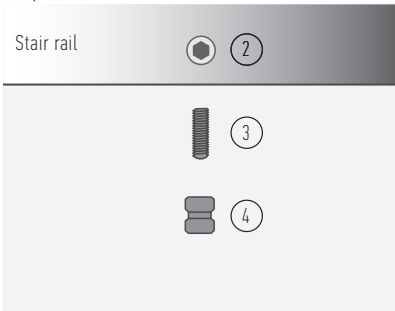
Step 5



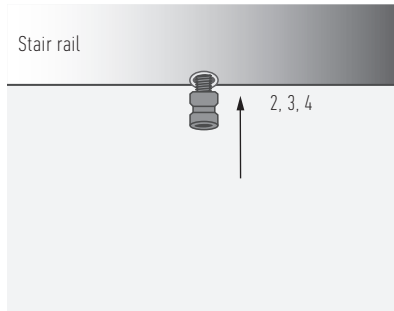
Step 6



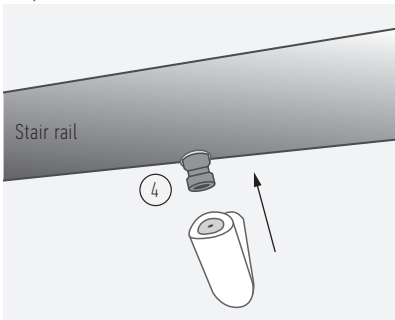
Step 7



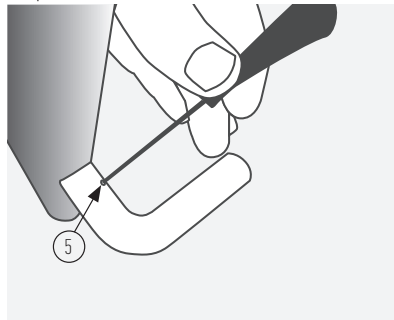
Step 8



Step 9



Step 10



halliday
baillie

STAIR RAIL HB 580, HB 590, HB 595 INSTALLATION GUIDE

Step 1

Please ensure that your stairway has been prepared, so that brackets can be installed into a solid substrate such as a stud, nog, masonry block or other solid packing within the wall. NOTE : The same wall anchor is used for all substrate.

Step 2

Drill 12mm diameter hole.

Step 3 - 4

Epoxy bond wall anchor (1) in place (epoxy Sika products or Gorilla Grip to be provided by the client). Let the epoxy set.

NOTE: We recommend having the bracket attached to the anchor for placement, so the correct angle is achieved ready for the rail.

Step 5

Drill a hole to suit M8 screw-in sleeve in the underside of the stair rail.

Step 6

Screw the wood insert (2) into the stair rail with a M8 hex wrench.

Step 7

Insert the large grub screw (3) into the wood insert on stair rail.

Step 8

Screw on hollow nut (4) that fits into top of stair bracket and receives the small grub screw in the bracket.

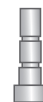
Step 9

Line hand rail up with brackets, inserting the mounting kit into the top of the brackets with rail attached.

Step 10

Then tighten grub screw (5) at the back of the stair rail bracket.

Parts Key



(1)

Anchor



(2)

Hollow wood screw



(3)

Hollow nut



(4)

Large grub screw



(5)

Small grub screw

Designed and manufactured in New Zealand. For more information, installation templates, and measured drawings of this product and others please visit : www.hallidaybaillie.com or contact your authorized Halliday + Baillie dealer. All information subject to change.